

**PORTABLE FORCED AIR HEATER**  
*Illustrated Parts List*

**PFA-21-1**

Issued: Nov. 1987  
Revised: ~~June 1989~~

**REDDY  
R50A**

**IMPORTANT:** Do not use key numbers when ordering service parts. Always order components by part number and description. Include model and serial numbers.

KEY NO.	PART NUMBER	DESCRIPTION	QTY.	KEY NO.	PART NUMBER	DESCRIPTION	QTY.
1	M51104-01	Handle	1	17	M11084-26	Screw, #10-16 x 3/8"	2
2	098511-36	Upper Shell	1	18	M50631	Rubber Bumper	2
3	M11084-29	Screw, #10-16 x 3/4"	2	19	M50899-03AA	Side Cover	1
4	M15823-27	Screw, #10-16 x 1/2"	6	20	098138-01	Motor Bracket	1
5	098512-13	Combustion Chamber	1	21	M30865-02	Bushing	1
6	M10908-2	Screw, #6-32 x 3/8"	2	22	M25907	Bushing	1
7	M16660	Photocell Bracket	1	23	M11271-8	Clip Nut	6
8	<del>M16656-4</del>	Photocell Assembly <i>HA3019</i>	1	24	M50104-02	Bushing	1
9	***	Burner Head Assembly	1	25	M11084-26	Screw, #10-16 x 3/8"	6
9-1	<del>M50597-</del>	Nozzle <i>HA3007</i>	1	26	M15823-37	Screw, #8-18 x 1/4"	1
9-2	<del>M29835-2</del>	Spark Plug <i>HA3013</i>	1	27	098511-18	Lower Shell	1
9-3	079980-01	Nozzle Adapter	1	28	<del>M29652-0104</del>	Rubber Airline	1
9-4	097125-01	Bracket	1	29	<del>098557-0106</del>	Ignitor Kit	1
9-5	M29824	Nut, 14mm	1	30	M11084-29	Screw, #10-16 x 3/4"	2
10	M11084-26	Screw, #10-16 x 3/8"	2	31	079973-01	Fuel Line	1
11	M30884	Fan	1	32	M50876-02	Fuel Filter (With Bushing)	1
12	***	Motor and Pump Assembly	1	33	M10990-3	Rubber Bushing	1
12-1	<del>097073-01-</del>	Motor <del>HA3001</del>	1	34	M16841-16	Wire Assembly (Red, 6")	1
12-2	<del>079975-0102</del>	Pump Body <i>102001-01</i>	1	35	**	Wire Connector (Blue Wires)	1
12-3	M22009	Insert	1	36	**	Wire Connector (Red Wires)	1
12-4	M22456-1	Rotor	1	37	**	Wire Connector (White Wires)	1
12-5	M29608	Pump End Cover	1	38	<del>M50671-01</del>	Safety Control <i>HA3003</i>	1
12-6	M29632	Lint Filter	1	39	097702-01	Fuel Cap (Includes Gasket)	1
12-7	M29633	Intake Filter	1	40	098513-20	Fuel Tank	1
12-8	M29609	Filter End Cover	1	41	M51108-01	Heat-Shell Shield	1
12-9	M12461-31	Screw, #10-32 x 1"	3	<b>PARTS AVAILABLE - NOT SHOWN</b>			
12-10	M27694	Adjusting Screw	1				
12-11	M10993-1	Pressure Relief Spring	1	097204-02	Tradename Decal		
12-12	M22997	Plug	1	098493-01	General Information Decal		
12-13	M8940	Steel Ball, 1/4" diameter	1	<b>OPTIONAL ACCESSORIES</b>			
12-14	M29612-01	Output Filter	1				
12-15	M12461-31	Screw, #10-32 x 1"	6	HA1200 <i>12/0</i>	Hang-up Thermostat		
12-16	M50016	Elbow, 90°	1	HA1202	Heavy Duty Wheels and Handle Kit		
12-17	M8643	Blade	4	HA1206	Standard Wheels and Handle Kit		
12-18	FHPF3-2C	Screw, #10-32 x 1/4"	2	HA1180	Air Gauge Kit		
13	M51105-01	Fan Guard	1				
14	098219-06	Power Cord	1				
15	M11143-1	Strain Relief Bushing	1				
16	NTC-4C	Hex Lock Nut, 1/4-20	2				

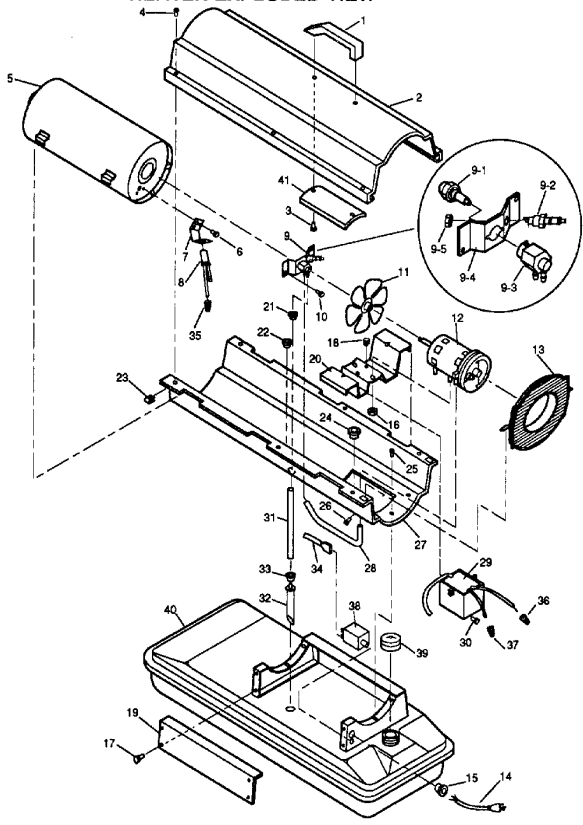
\*\*Available at your local hardware store.

\*\*\*Not available as an assembly.

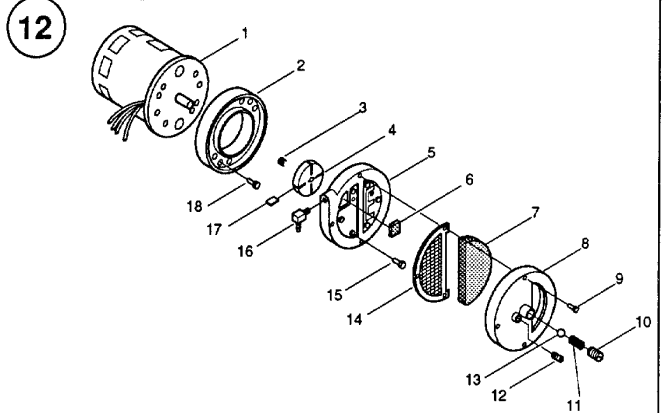
*make type left fan*

MODEL R50A

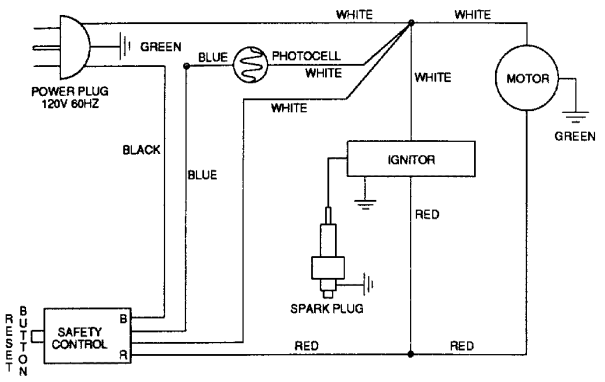
**HEATER EXPLODED VIEW**



**MOTOR PACKAGE ASSEMBLY**



**WIRING DIAGRAM**



**SPECIFICATIONS**

Output Rating (BTU Per Hour)	50,000
Fuel	Kerosene or #1 fuel oil
Fuel Tank Capacity ( U. S. Gallons)	4
Fuel Consumption ( Approximate U.S. Gallons Per Hour)	0.37
Electric Requirements	120V/60Hz
Amperage (During Normal Run)	2.5

Motor RPM	1725
Hot Air Output (Approximate CFM)	166
Air Pump Pressure (PSI)	3.6
Shipping Weight (Approximate Pounds)	43
Heater Weight Without Fuel (Approximate Pounds)	36