

Homelite®

Issued: Nov. 1987

PORTABLE FORCED AIR HEATER Illustrated Parts List

HH100

IMPORTANT: Do not use key numbers when ordering service parts. Always order components by part number and description. Include model and serial numbers.

KEY NO.	PART NUMBER	DESCRIPTION	QTY.	KEY NO.	PART NUMBER	DESCRIPTION	QTY.
1	098511-30	Upper Shell	1	16	M51114-01	Fan Guard	1
2	M11084-27	Screw, #10-16 x 1/2"	8	17	102482-01	Ignitor Kit	1
3	098512-07	Combustion Chamber	1	18	M11084-29	Screw, #10-16 x 3/4"	2
4	M16660	Photocell Bracket	1	19	M51345-01	Fuel Line	1
5	M10908-2	Screw, #6-32 x 3/8"	2	20	M51150-01	Fuel Filter (2")	1
6	HA3019	Photocell Assembly (5")	1	21	M51151-01	Fuel Line Tube	1
7	***	Burner Head Assembly	1	22	M10990-3	Rubber Bushing	1
7-1	HA3009	Nozzle (3")	1	23	M50814-06	Airline	1
7-2	M10659-1	Nozzle Washer (5")	2	24 Δ	098511-24	Lower Shell	1
7-3	M10809-1	Nozzle Spring (5")	1	25	M30865-02	Bushing	1
7-4	M8892	Nozzle Sleeve (5")	1	26	M30865-02	Bushing	1
7-5	M50924-03	Burner Head Body	1	27	M30865-02	Bushing	1
7-6	M50820-02	Barb Fitting	2	28	M50104-02	Bushing	1
7-7	HA3012	Spark Plug (10")	1	29	M11084-27	Screw, #10-16 x 1/2"	6
8	M11084-27	Screw, #10-16 x 1/2"	3	30	M11271-8	Clip Nut	8
9	M51153-01	Fan	1	31	M15823-37	Screw, #8-18 x 1/4"	1
10	***	Motor and Pump Assembly	1	32	098513-21	Fuel Tank	1
10-1	097300-02	Motor (Split Phase) (1")	1	33	097702-01	Fuel Cap (Includes Gasket)	1
10-2	079975-02	Pump Body (3")	1	34	HA3003	Safety Control (10")	1
10-3	FHPF3-2C	Screw, #10-32 x 1/2"	2	35	M11143-1	Strain Relief Bushing	1
10-4	M22009	Rotor Insert (10")	1	36	099896-03	Power Cord	1
10-5	M22456-1	Pump Rotor	1	37	M51077-01AA	Side Cover	1
10-6	M50545	Pump End Cover (8")	1	38	M11084-27	Screw, #10-16 x 1/2"	4
10-7	M12179	Intake Filter (10")	1	39	**	Wire Connector (Blue Wires)	1
10-8	M16545	Filter End Cover (5")	1	40	**	Wire Connector (Red Wires)	1
10-9	M8940	Steel Ball, 1/4" diameter	1	41	**	Wire Connector (White Wires)	1
10-10	M10993-1	Relief Spring	1	42 Δ	079010-06	Wire Assembly (Red, 14 1/2")	1
10-11	M27694	Adjusting Screw	1	43	M16841-16	Wire Assembly (Red, 6")	1
10-12	M22997	Plug	1	PARTS AVAILABLE - NOT SHOWN			
10-13	M12461-31	Screw, #10-32 x 1"	10		097896-01	Wheel	2
10-14	M12244-1	Output Filter (10")	1		M51015-01	Axle	1
10-15	M11637	Lint Filter (10")	1		M12342-3	Wheel Support Frame	1
10-16	M50820-02	Barb Fitting	1		HA2203	Front Handle	1
10-17	M8643	Blade (20")	4		M12345-33	Screw, #10-24 x 1 3/4"	8
11	M50631	Rubber Bumper	2		M28526	Nut Cap	2
12	101206-01	Motor Mounting Bracket	1		NTC-3C	Hex Lock Nut, #10-24	8
13	097061-01	Solid State Relay	1		097886-03	Tradename Decal	
14	M15823-39	Screw, #8-18 x 1/2"	2		098493-01	General Information Decal	
15	NTC-4C	Hex Lock Nut, 1/4-20	2				

* Recommended stock order.

** Available at your local hardware store.

*** Not available as an assembly.

Δ No longer available.

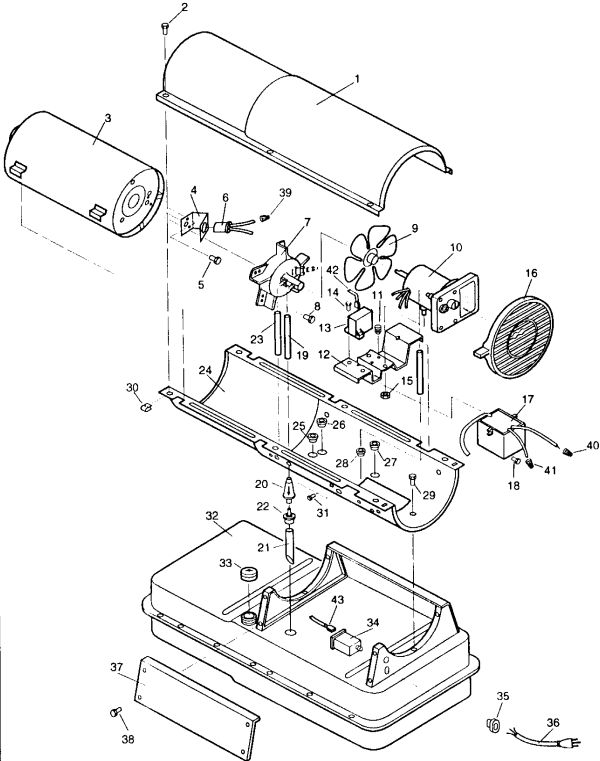
DESA International

2701 Industrial Drive, P.O. Box 90004
Bowling Green, KY 42102-9004
Technical Service Department 1-800-323-5190
Parts Department 1-800-972-7879

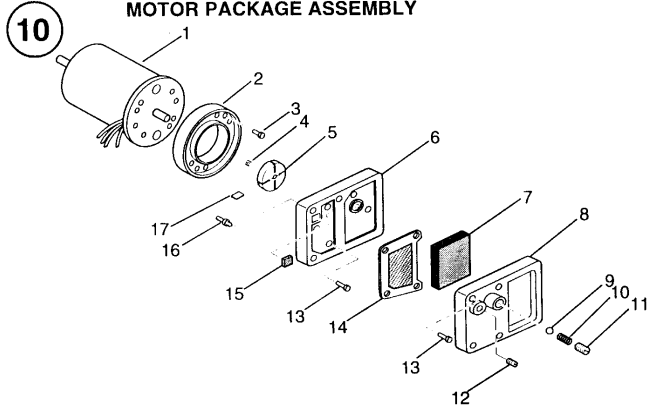
098124-01
REV. C
05/97

HH100

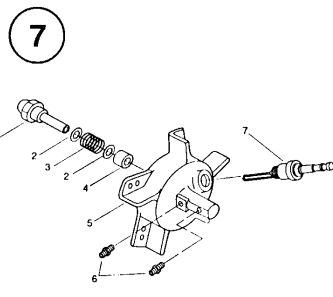
HEATER EXPLODED VIEW



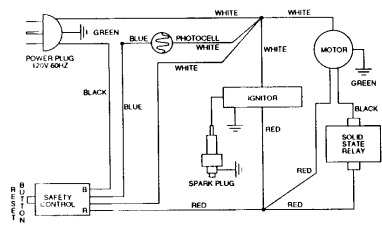
MOTOR PACKAGE ASSEMBLY



BURNER HEAD ASSEMBLY



WIRING DIAGRAM



SPECIFICATIONS

Output Rating (BTU Per Hour)	100,000
Fuel	Kerosene or #1 fuel oil
Fuel Tank Capacity (U. S. Gallons)	9
Fuel Consumption (Approximate U.S. Gallons Per Hour)	0.74
Electric Requirements	120V/60Hz
Amperage (During Normal Run)	5
Starting Amps	10

Motor RPM	3450
Hot Air Output (Approximate CFM)	481
Air Pump Pressure (PSI)	4.0
Shipping Weight (Approximate Pounds)	64
Heater Weight Without Fuel (Approximate Pounds)	55