

Homelite®

Issued: May, 1992

PORTABLE FORCED AIR HEATER *Illustrated Parts List*

HH100A

IMPORTANT: Do not use key numbers when ordering service parts. Always order components by part number and description. Include model and serial numbers.

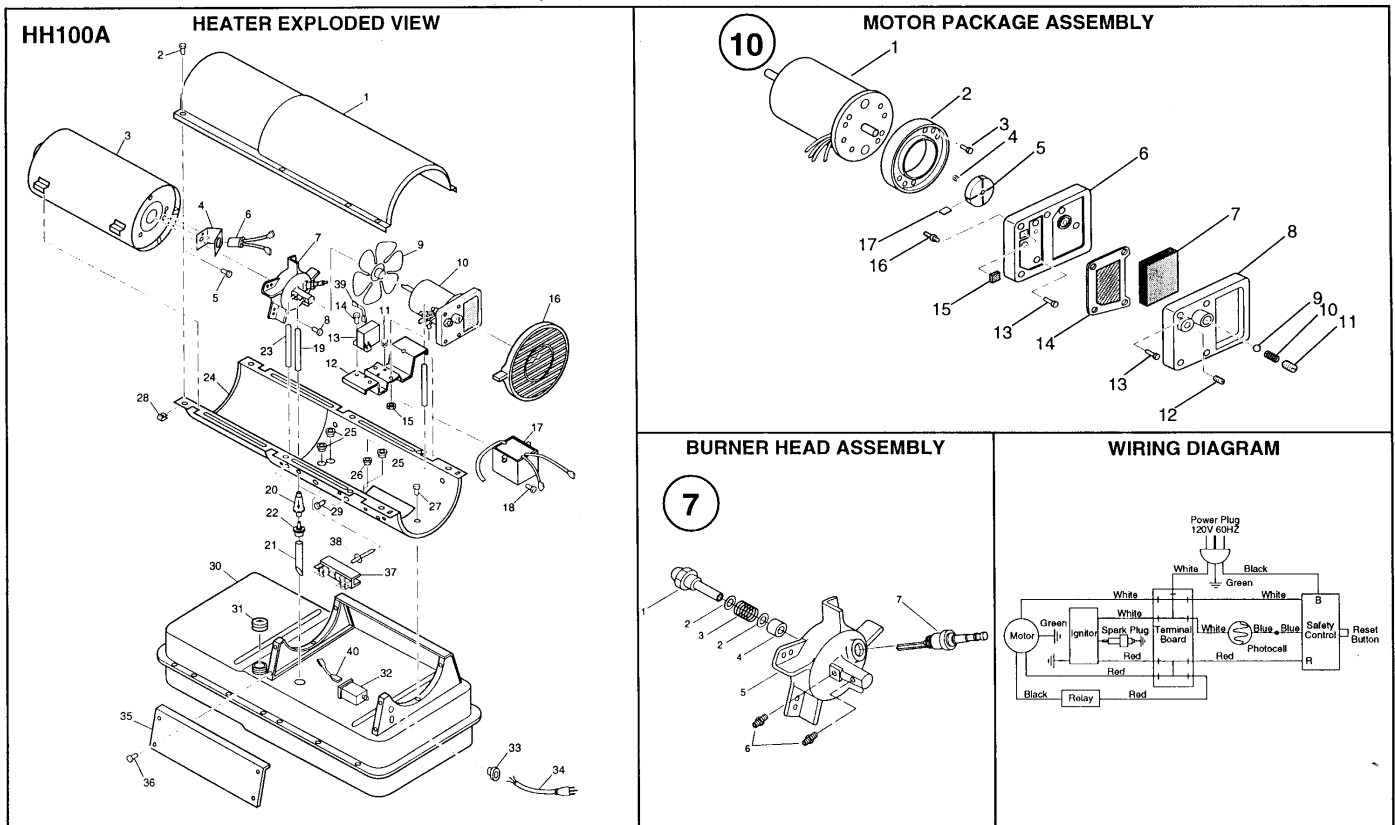
KEY NO.	PART NUMBER	DESCRIPTION	QTY.	KEY NO.	PART NUMBER	DESCRIPTION	QTY.
1	098511-30	Upper Shell	1	15	NTC-4C	Hex Lock Nut, 1/4-20	2
2	M11084-27	Screw, #10-16 x 1/2"	8	16	M51114-01	Fan Guard	1
3	098512-07	Combustion Chamber	1	17	102482-01	Ignitor Kit	1
4	M16660	Photocell Bracket	1	18	M11084-29	Screw, #10-16 x 3/4"	2
5	M10908-2	Screw, #6-32 x 3/8"	2	19	M51345-01	Fuel Line	1
6	HA3019	Photocell Assembly	1	20	M51150-01	Fuel Filter	1
7	***	Burner Head Assembly	1	21	M51151-01	Fuel Line Tube	1
7-1	HA3009	Nozzle with Sleeve	1	22	M10990-3	Rubber Bushing	1
7-2	M10659-1	Nozzle Washer	2	23	M50814-03	Airline	1
7-3	M10809-1	Nozzle Spring	1	24	098511-149	Lower Shell	1
7-4	M8882	Nozzle Sleeve	1	25	M30865-02	Bushing	3
7-5	M50924-03	Burner Head Body	1	26	M50104-02	Bushing	1
7-6	M50820-02	Barb Fitting	2	27	M11084-27	Screw, #10-16 x 1/2"	6
7-7	HA3012	Spark Plug	1	28	M11271-8	Clip Nut	8
8	M11084-27	Screw, #10-16 x 1/2"	3	29	M15823-37	Screw, #8-18 x 1/4"	1
9	M51153-01	Fan	1	30	098513-21	Fuel Tank	1
10	***	Motor and Pump Assembly	1	31	097702-01	Fuel Cap (Includes Gasket)	1
10-1	097300-02	Motor (Split Phase)	1	32	HA3003	Safety Control	1
10-2	079975-02	Pump Body	1	33	M11143-1	Strain Relief Bushing	1
10-3	FHPF3-2C	Screw, #10-32 x 1/2"	2	34	098219-19	Power Cord	1
10-4	M22009	Rotor Insert	1	35	M51077-01AA	Side Cover	1
10-5	M22456-1	Pump Rotor	1	36	M11084-27	Screw, #10-16 x 1/2"	4
10-6	M50545	Pump End Cover	1	37	099125-03	Terminal Board	1
10-7	M12179	Intake Filter	1	38	099157-01	Rivet	1
10-8	M16545	Filter End Cover	1	39	079010-18	Wire Assembly (Red, 14 1/2")	1
10-9	M8940	Steel Ball, 1/4" diameter	1	40	M16841-57	Wire Assembly (Red, 6")	1
10-10	M10993-1	Relief Spring	1	PARTS AVAILABLE - NOT SHOWN			
10-11	M27694	Adjusting Screw	1		097896-01	Wheels	2
10-12	M22997	Plug	1		M51015-01	Axle	1
10-13	M12461-31	Screw, #10-32 x 1"	10		M12342-3	Wheel Support Frame	1
10-14	M12244-1	Output Filter	1		HA2203	Front Handle	1
10-15	M11637	Lint Filter	1		M12345-33	Screw, #10-24 x 1 3/4"	8
10-16	M50820-02	Barb Fitting	1		M28526	Nut cap	2
10-17	M8643	Blade	4		NTC-3C	Hex Lock Nut, #10-24	8
11	M50631	Rubber Bumper	2		097886-03	Tradename Decal	
12	101206-01	Motor Mounting Bracket	1		098493-01	General Information Decal	
13	097061-01	Solid State Relay	1		099452-01	Owner's Manual	
14	M15823-39	Screw, #8-18 x 1/2"	2				

*** Not available as an assembly.

DESA International

2701 Industrial Drive, P.O. Box 90004
Bowling Green, KY 42102-9004
Technical Service Department 1-800-323-5190
Parts Department 1-800-972-7879

100200-01
REV. B
10/96



SPECIFICATIONS

Output Rating (BTU Per Hour)	100,000
Fuel	Kerosene or #1 fuel oil
Fuel Tank Capacity (U. S. Gallons)	9
Fuel Consumption (Approximate U.S. Gallons Per Hour)	0.74
Electric Requirements	120V/60Hz
Amperage (During Normal Run)	4.5
Starting Amps	10

Motor RPM	3450
Hot Air Output (Approximate CFM)	480
Air Pump Pressure (PSI)	4.0
Shipping Weight (Approximate Pounds)	56
Heater Weight Without Fuel (Approximate Pounds)	47