

Homelite®

Issued: May, 1992

PORTABLE FORCED AIR HEATER *Illustrated Parts List*

HH50A

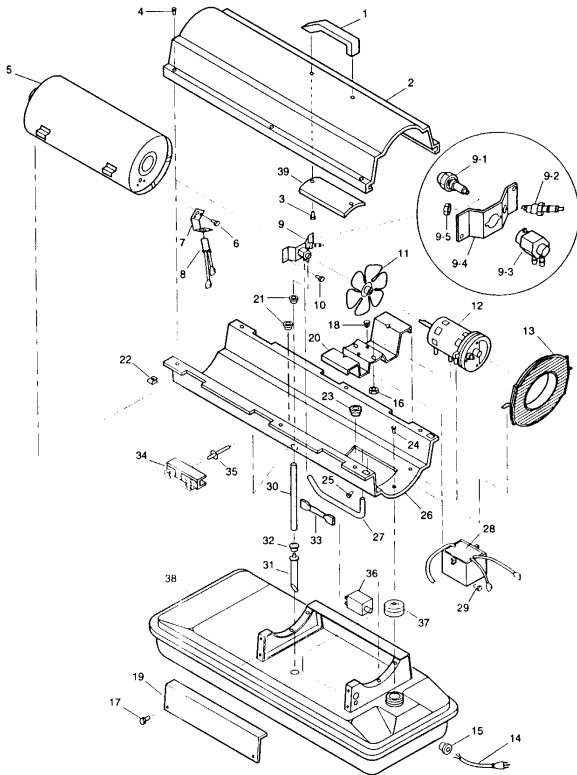
IMPORTANT: Do not use key numbers when ordering service parts. Always order components by part number and description. Include model and serial numbers.

KEY NO.	PART NUMBER	DESCRIPTION	QTY.	KEY NO.	PART NUMBER	DESCRIPTION	QTY.
1	M51104-01	Handle	1	12-18	FHPF3-2C	Screw, #10-32 x 1/4"	2
2	098511-43	Upper Shell	1	13	M51105-01	Fan Guard	1
3	M11084-29	Screw, #10-16 x 3/4"	2	14	098219-18	Power Cord	1
4	M11084-27	Screw, #10-16 x 1/2"	6	15	M11143-1	Strain Relief Bushing	1
5	098512-13	Combustion Chamber	1	16	NTC-4C	Hex Lock Nut, 1/4-20	2
6	M10908-2	Screw, #6-32 x 3/8"	2	17	M11084-26	Screw, #10-16 x 3/8"	2
7	M16660	Photocell Bracket	1	18	M50631	Rubber Bumper	2
8	HA3019	Photocell Assembly	1	19	M50899-03AA	Side Cover	1
9	***	Burner Head Assembly	1	20	101205-01	Motor Bracket	1
9-1	HA3007	Nozzle	1	21	M30865-02	Bushing	2
9-2	HA3013	Spark Plug	1	22	M11271-8	Clip Nut	6
9-3	079980-01	Nozzle Adapter	1	23	M50104-02	Bushing	1
9-4	097125-01	Bracket	1	24	M11084-26	Screw, #10-16 x 3/8"	6
9-5	M29824	Nut, 14mm	1	25	M15823-37	Screw, #8-18 x 1/4"	1
10	M11084-26	Screw, #10-16 x 3/8"	2	26	098511-19	Lower Shell	1
11	M30884	Fan	1	27	M29652-04	Rubber Airline	1
12	***	Motor and Pump Assembly	1	28	102482-01	Ignitor Kit	1
12-1	102001-01	Motor	1	29	M11084-29	Screw, #10-16 x 3/4"	2
12-2	079975-02	Pump Body	1	30	079973-01	Fuel Line	1
12-3	M22009	Insert	1	31	M50876-02	Fuel Filter (With Bushing)	1
12-4	M22456-1	Rotor	1	32	M10990-3	Rubber Bushing	1
12-5	M29608	Pump End Cover	1	33	M16841-57	Wire Assembly (Red, 6")	1
12-6	M29632	Lint Filter	1	34	099125-02	Terminal Board	1
12-7	M29633	Intake Filter	1	35	099157-01	Rivet	1
12-8	M29609	Filter End Cover	1	36	HA3003	Safety Control	1
12-9	M12461-31	Screw, #10-32 x 1"	3	37	097702-01	Fuel Cap (Includes Gasket)	1
12-10	M27694	Adjusting Screw	1	38	098513-20	Fuel Tank	1
12-11	M10993-1	Pressure Relief Spring	1	39	M51108-01	Heat-Shell Shield	1
12-12	M22997	Plug	1	PARTS AVAILABLE - NOT SHOWN			
12-13	M8940	Steel Ball, 1/4" diameter	1		097886-02	Tradename Decal	
12-14	M29612-01	Output Filter	1		098493-01	General Information Decal	
12-15	M12461-31	Screw, #10-32 x 1"	6		099452-01	Owner's Manual	
12-16	M50016	Elbow, 90°	1				
12-17	M8643	Blade	4				

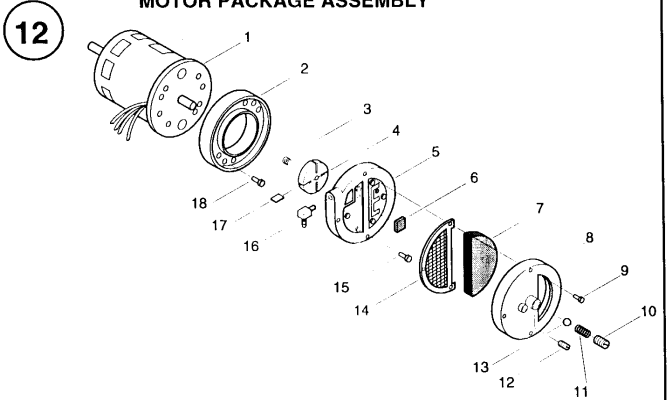
*** Not available as an assembly.

HH50A

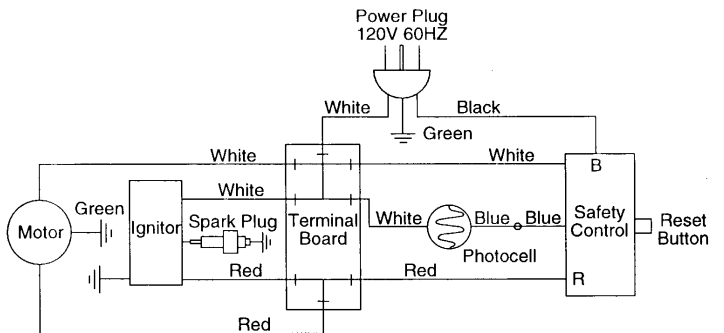
HEATER EXPLODED VIEW



MOTOR PACKAGE ASSEMBLY



WIRING DIAGRAM



SPECIFICATIONS

Output Rating (BTU Per Hour)	50,000
Fuel	Kerosene or #1 fuel oil
Fuel Tank Capacity (U. S. Gallons)	4
Fuel Consumption (Approximate U.S. Gallons Per Hour)	0.37
Electric Requirements	120V/60Hz
Amperage (During Normal Run)	2.0

Motor RPM	1725
Hot Air Output (Approximate CFM)	165
Air Pump Pressure (PSI)	3.6
Shipping Weight (Approximate Pounds)	35
Heater Weight Without Fuel (Approximate Pounds)	30