

PORTABLE FORCED AIR HEATER

Illustrated Parts List

PFA-20-1
 Issued: Nov. 1987
 Revised: June 1989

**REDDY
 R35A**

IMPORTANT: Do not use key numbers when ordering service parts. Always order components by part number and description. Include model and serial numbers.

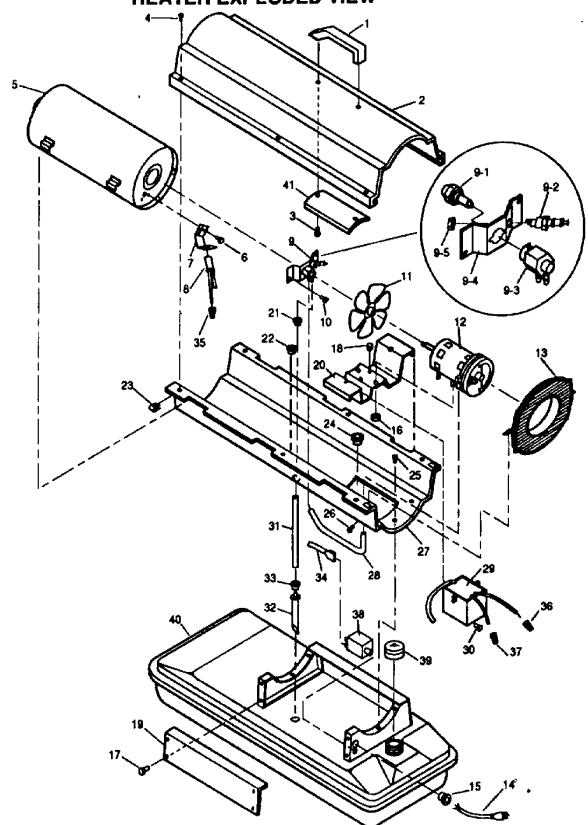
KEY NO.	PART NUMBER	DESCRIPTION	QTY.	KEY NO.	PART NUMBER	DESCRIPTION	QTY.
1	M51104-01	Handle	1	17	M11084-26	Screw, #10-16 x 3/8" <i>099896-03</i>	2
2	098511-36	Upper Shell	1	18	M50631	Rubber Bumper	2
3	M11084-29	Screw, #10-16 x 3/4"	2	19	M50899-03AA	Side Cover	1
4	M15823-27	Screw, #10-16 x 1/2"	6	20	098138-01	Motor Bracket	1
5	098512-05	Combustion Chamber <i>098512-26</i>	1	21	M30865-02	Bushing	1
6	M10908-2	Screw, #6-32 x 3/8"	2	22	M25907	Bushing	1
7	M16660	Photocell Bracket	1	23	M11271-8	Clip Nut	6
8	M16656-4	Photocell Assembly <i>HA3019</i>	1	24	M50104-02	Bushing	1
9	***	Burner Head Assembly	1	25	M11084-26	Screw, #10-16 x 3/8"	6
9-1	079744-01	Nozzle <i>HA3006</i>	1	26	M15823-37	Screw, #8-18 x 1/4"	1
9-2	M29633-2	Spark Plug <i>HA3013</i>	1	27	098511-18	Lower Shell	1
9-3	079980-01	Nozzle Adapter	1	28	M29652-01	Rubber Airline <i>M29652-04</i>	1
9-4	097125-01	Bracket	1	29	098557-01	Ignitor Kit <i>098557-06</i>	1
9-5	M29824	Nut, 14mm	1	30	M11084-29	Screw, #10-16 x 3/4"	2
10	M11084-26	Screw, #10-16 x 3/8"	2	31	M29652-05	Fuel Line	1
11	M30884	Fan	1	32	M50876-04	Fuel Filter (With Bushing)	1
12	***	Motor and Pump Assembly	1	33	M10990-3	Rubber Bushing	1
12-1	097073-01	Motor HA3006	1	34	M16841-16	Wire Assembly (Red, 6")	1
12-2	079975-01 <i>02</i>	Pump Body <i>102001-01</i>	1	35	**	Wire Connector (Blue Wires)	1
12-3	M22009	Insert	1	36	**	Wire Connector (Red Wires)	1
12-4	M22456-1	Rotor	1	37	**	Wire Connector (White Wires)	1
12-5	M29608	Pump End Cover	1	38	M50671-01	Safety Control <i>HA3003</i>	1
12-6	M29632	Lint Filter	1	39	097702-01	Fuel Cap (Includes Gasket)	1
12-7	M29633	Intake Filter	1	40	098513-23	Fuel Tank	1
12-8	M29609	Filter End Cover	1	41	M51108-01	Heat-Shell Shield	1
12-9	M12461-31	Screw, #10-32 x 1"	3	PARTS AVAILABLE - NOT SHOWN			
12-10	M27694	Adjusting Screw	1		097204-01	Tradename Decal	
12-11	M10993-1	Pressure Relief Spring	1		098493-01	General Information Decal	
12-12	M22997	Plug	1	OPTIONAL ACCESSORIES			
12-13	M8940	Steel Ball, 1/4" diameter	1		HA1200	Hang-up Thermostat <i>HA1210</i>	
12-14	M29612-01	Output Filter	1		HA1202	Heavy Duty Wheels and Handle Kit	
12-15	M12461-31	Screw, #10-32 x 1"	6		HA1206	Standard Wheels and Handle Kit	
12-16	M50016	Elbow, 90°	1		HA1180	Air Gauge Kit	
12-17	M8643	Blade	4				
12-18	FHPF3-2C	Screw, #10-32 x 1/4"	2				
13	M51105-01	Fan Guard	1				
14	098219-06	Power Cord	1				
15	M11143-1	Strain Relief Bushing	1				
16	NTC-4C	Hex Lock Nut, 1/4-20	2				

**Available at your local hardware store.
 ***Not available as an assembly.

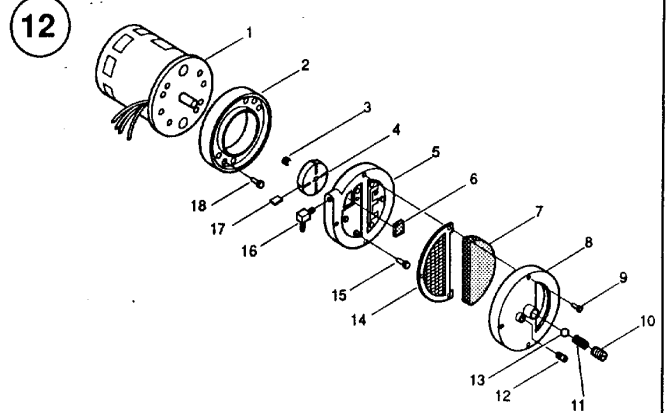
make type list for

MODEL R35A

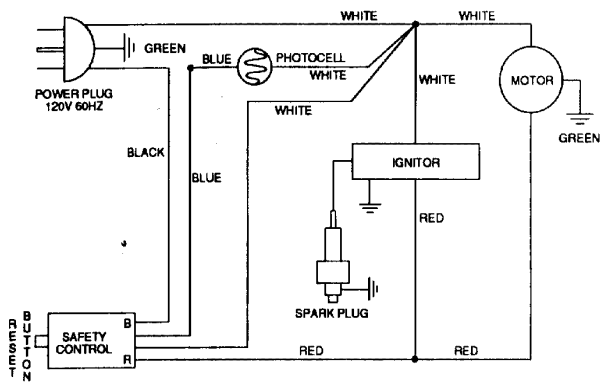
HEATER EXPLODED VIEW



MOTOR PACKAGE ASSEMBLY



WIRING DIAGRAM



SPECIFICATIONS

Output Rating (BTU Per Hour)	35,000
Fuel	Kerosene or #1 fuel oil
Fuel Tank Capacity (U. S. Gallons)	3
Fuel Consumption (Approximate U.S. Gallons Per Hour)	0.26
Electric Requirements	120V/60Hz
Amperage (During Normal Run)	2.4

Motor RPM	1725
Hot Air Output (Approximate CFM)	168
Air Pump Pressure (PSI)	3.0
Shipping Weight (Approximate Pounds)	42
Heater Weight Without Fuel (Approximate Pounds)	35