

# DESA INTERNATIONAL

NOTE: These part changes for 1986 models

KEY NO	OLD PART NUMBER	NEW PART NUMBER	DESCRIPT.
16/10	M8645	079975-01	Pump body
29	M12462-17	097061-01	Motor rela
39	M51027-06	097048-01	Fuel cap

## PORTABLE FORCED AIR HEATER

### Illustrated Parts List

09776  
~~PFA-19~~

Issued: June, 1985

**DESA**  
**C150D**

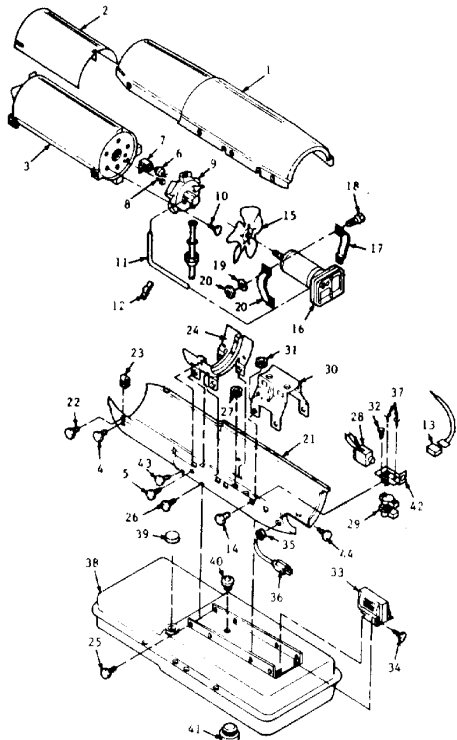
**IMPORTANT** DO NOT USE KEY NUMBERS WHEN ORDERING SERVICE PARTS. ALWAYS ORDER COMPONENTS BY PART NUMBER AND DESCRIPTION. INCLUDE MODEL AND SERIAL NUMBERS.

KEY NO.	PARTS NO.	PART DESCRIPTION	QTY.
1	<del>079463-01B</del>	Shell, Upper <i>098511-31</i>	1
2	M16679	Deflector, Heat <i>098068-01</i>	1
3	<del>M16687-6</del>	Chamber, Combustion, Assembly <i>098512-02</i>	1
4	M11084-27	Screw, Hex Hd., 10-16 x 1/2	2
5	M11084-29	Screw, 10-16 x 3/4	2
6	<del>M16656-4</del>	Photocell Assembly <i>HA3019</i>	1
7	M16660	Bracket, Photocell	1
8	M10908-2	Screw, hex Hd., 6-32 x 3/8	2
9		Burner Head Assembly	1
9-1	M16790-12	Fuel Line	1
9-2	M19630	Filter, Screen Fuel	1
9-3	M50660-05	Nut, Flare	1
9-4	079685-01	Connector, Male	1
9-5	M50817-01	Fitting, Barb	1
9-6	M8882	Seal, Nozzle	1
9-7	M10659-1	Washer, Nozzle	2
9-8	M10809-1	Spring, Nozzle	1
9-9	<del>M18022-2</del>	Nozzle, 1.1 GPH <i>HA3011 (incl 1 spare)</i>	1
9-10	<del>M10962-2</del>	Spark Plug <i>HA3012</i>	1
9-11	M50924-01	Body, Burner Head	1
10	M11084-27	Screw, Hex Hd., 10-16 x 1/2	3
11	M50814-03	Airline, Tubing	1
12	M50873-01	Clip, Airline	2
13	M16841-16	Wire Assembly (red)	2
14	M11084-27	Screw, #10-16 x 1/2	1
15	M17058	Fan	1
16		Motor & Pump Assy.	1
16-1	M16545	Cover, End Filter	1
16-2	M12461-31	Screw, #10-32X1	10
16-3	M12179	Filter, Intake	1
16-4	M12244-1	Filter, Output	1
16-5	M11637	Filter, Lint	1
16-6	M50545	Cover, End Pump	1
16-7	M8643	Blade	4
16-8	M22456-1	Rotor Pump	1
16-9	M22009	Insert, Rotor	1
16-10	<del>See Note</del>	Body, Pump <i>079975.01</i>	1
16-11	FHPF3-4C	Screw, #10-32X1/2	2
16-12	M50817-01	Fitting, Barb	1

KEY NO.	PARTS NO.	PART DESCRIPTION	QTY.
16-13	M22997	Plug	1
16-14	M27694	Screw, Adjusting	1
16-15	M10993-1	Spring, Relief	1
16-16	M8940	Ball, 1/4 dia.	1
16-17	<del>M51168-04</del>	Motor, w/relay <i>097307-01</i>	1
17	M16661	Clamp, Motor	4
18	M51043-01	Screw, Motor Clamp, 1/4-20 x 1 1/2	2
19	WLM-4C	Lockwasher 1/4 in.	2
20	NPC-4C	Nut, Hex 1/4-20	2
21	<del>079464-01B</del>	Shell, Lower <i>098511-07</i>	1
22	M11084-27	Screw, Hex Hd., 10-16 x 1/2	6
23	M11271-6	Nut, Clip	6
24	M12828	Bracket, Shell Support	1
25	M11084-27	Screw, Hex Hd., 10-16 x 1/2	8
26	M1084-29	Screw, #1-16 x 3/4	2
27	1000576	Grommet Leads Thru Lower Shell	2
28	<del>M50671-04</del>	Control, Safety <i>HA3003</i>	1
29	See Note	Relay, Motor Start	1
30	M16645	Bracket, Motor Support	1
31	1000577	Grommet	1
32	M11084-27	Screw, #10-16 x 1/2 (Grounding)	1
33	<del>M16697-02</del>	Transformer, 5000 Volt <i>098557-0P</i>	1
34	M11084-27	Screw #10-16 x 1/2	2
35	M11143-1	Bushing, Strain Relief	1
36	M10813-86	Cord, Power	1
37	RC2-2C	Screw, Rd. Hd., 8-32 x 1/4	2
38	<del>M51090-14</del>	Tank, Fuel <i>098513-11</i>	1
39	See Note	Cap, Fuel	1
40	M10990-3	Bushing, Rubber, Fuel Line Into Fuel Tank	1
41	M27417	Plug, Drain, Includes "U" Hing	1
42	M25296-1	Bracket, Relay	1
43	M11084-27	Screw, #10-16 x 1/2	2
44	M11084-27	Screw, #10-16 x 1/2	2
PARTS AVAILABLE, NOT SHOWN			
	079872-01	Decal, Tradename	
	<del>HA2204</del>	Front Handle	1

Rev. A  
Date

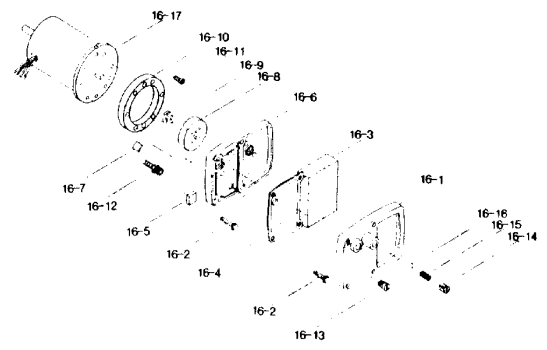
MODEL C150D



HEATER EXPLODED VIEW

16

MOTOR PACKAGE ASSEMBLY

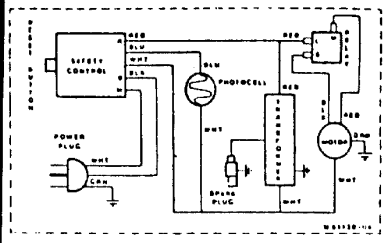


9

BURNER HEAD ASSEMBLY



WIRING DIAGRAM



SPECIFICATIONS

	C150D		C150D
OUTPUT Rating (BTU Per Hour)	150,000	Motor RPM	3450
Fuel	kerosene or #1 fuel oil	Air Output (CFM)	538
Fuel Tank Capacity, U.S. Gallons	13.50	Air Pump Pressure	5.00
Fuel Consumption, Approx. U.S. Gal. Per Hour	1.10	Shipping Weight (Approx. Lbs.)	94.00
Electric Requirements	120 60Hz.	Without Fuel (Approx. Lbs.)	77.00
Amperage (During Normal Run)	5.00	Duct	No Duct Recommended
Starting Amps	10.00		