

## PORTABLE FORCED AIR HEATER *Illustrated Parts List*

**REDDY  
R150A**

**IMPORTANT:** Do not use key numbers when ordering service parts. Always order components by part number and description. Include model and serial numbers.

KEY NO.	PART NUMBER	DESCRIPTION	QTY.	KEY NO.	PART NUMBER	DESCRIPTION	QTY.
1	098511-29	Upper Shell	1	17	M16661-1	Motor Clamp	4
2	098068-01	Heat Deflector Kit	1	18	M51043-01	Bolt, 1/4-20 x 1 1/2"	2
3	098512-18	Combustion Chamber	1	19	WLM-4	Lockwasher 1/4"	2
4	M11084-29	Screw, #10-16 x 3/4"	2	20	NPC-4C	Hex Lock Nut, 1/4-20	2
5	M11084-29	Screw, #10-16 x 3/4"	2	21	098511-100	Lower Shell	1
6	HA3019	Photocell Assembly	1	22	M11084-27	Screw, #10-16 x 1/2"	6
7	M16660	Photocell Bracket	1	23	M11271-8	Clip Nut	7
8	M10908-2	Screw, #6-32 x 3/8"	2	24	M12828	Shell Support Bracket	1
9	***	Burner Head Assembly	1	25	M11084-27	Screw, #10-16 x 1/2"	8
9-1	M16790-12	Fuel Line	1	26	M11084-29	Screw, #10-16 x 3/4"	2
9-2	M19630	Fuel Filter	1	27	M50104-03	Shorty Bushing	2
9-3	M50660-05	Flare Nut	1	28	HA3003	Safety Control	1
9-4	079685-01	Male Connector	1	29	097061-01	Solid State Relay	1
9-5	M50820-02	Barb Fitting	2	30	M15823-39	Screw, #8-18 x 1/2"	2
9-6	M8882	Nozzle Seal	1	31	097060-01	Solid State Relay Bracket	1
9-7	M10659-1	Nozzle Washer	2	32	M11084-27	Screw, #10-16 x 1/2"	1
9-8	M10809-1	Nozzle Spring	1	33	M16645	Motor Support Bracket	1
9-9	HA3011	1.1 GPH Nozzle (Including Sleeve)	1	34	M30865-04	Bushing	1
9-10	HA3012	Spark Plug	1	35	102482-01	Ignitor Kit	1
9-11	M50924-01	Burner Head Body	1	36	M11084-29	Screw, #10-16 x 3/4"	2
10	M11084-27	Screw, #10-16 x 1/2"	3	37	M11143-1	Strain Relief Bushing	1
11	M50814-03	Airline Tubing	1	38	099896-03	Power Cord	1
12	M50873-01	Airline Clip	9	39	098513-08	Fuel Tank	1
13	M16841-16	Wire Assembly (Red, 6")	1	40	097702-01	Fuel Cap (Includes Gasket)	1
14	M11084-27	Screw, #10-16 x 1/2"	1	41	M10990-3	Rubber Bushing	1
15	M17058	Fan	1	42	M11084-27	Screw, #10-16 x 1/2"	2
16	***	Motor and Pump Assembly	1	43	M11084-27	Screw, #10-16 x 1/2"	2
16-1	M16545	Filter End Cover	1	44	M27417	Drain Plug	1
16-2	M12461-31	Screw, #10-32 x 1"	10	45	**	Wire Connector (Blue Wires)	1
16-3	M12179	Intake Filter	1	46	**	Wire Connector (Red Wires)	1
16-4	M12244-1	Output Filter	1	47	**	Wire Connector (White Wires)	1
16-5	M11637	Lint Filter	1	<b>PARTS AVAILABLE - NOT SHOWN</b>			
16-6	M50545	Pump End Cover	1		097896-01	Wheels	2
16-7	M8643	Blade	4		M16801-2	Axle	1
16-8	M22456-1	Pump Rotor	1		M12831-3	Wheel Support Frame	1
16-9	M22009	Rotor Insert	1		HA2204	Front Handle	1
16-10	079975-02	Pump Body	1		M12345-33	Screw, #10-24 x 3/4"	8
16-11	FHPF3-2C	Screw, #10-32 x 1/4"	2		M28526	Nut Cap	2
16-12	M50820-02	Barb Fitting	1		NTC-3C	Hex Lock Nut, #10-24	8
16-13	M22997	Plug	1		097204-05	Tradename Decal	
16-14	M27694	Adjusting Screw	1		098493-01	General Information Decal	
16-15	M10993-1	Relief Spring	1				
16-16	M8940	Ball, 1/4" diameter	1				
16-17	097308-04	Motor	1				

\*\* Available at your local hardware store.

\*\*\* Not available as an assembly.

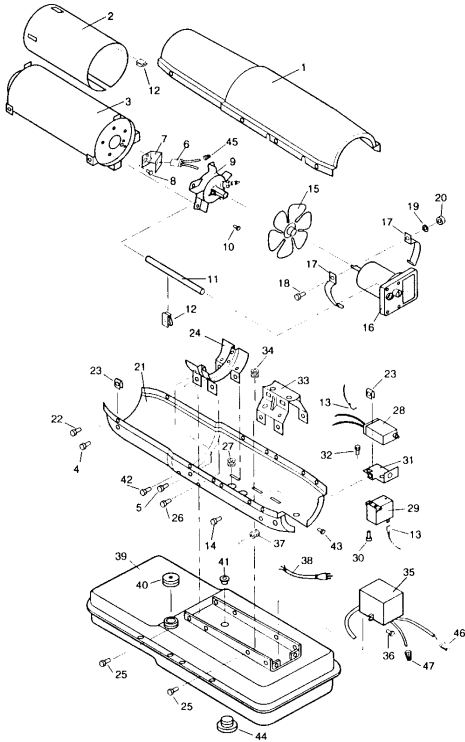
### DESA International

2701 Industrial Drive, P.O. Box 90004  
Bowling Green, KY 42102-9004  
Technical Service Department 1-800-323-5190  
Parts Department 1-800-972-7879

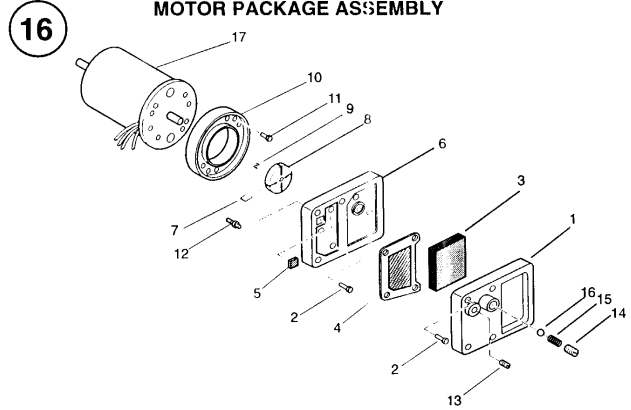
097707-01  
REV. E  
05/97

**R150A**

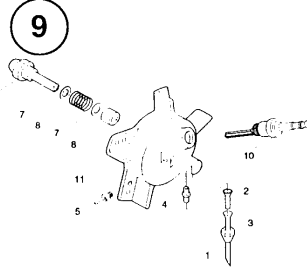
**HEATER EXPLODED VIEW**



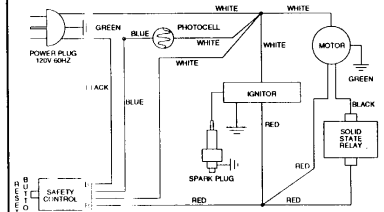
**MOTOR PACKAGE ASSEMBLY**



**BURNER HEAD ASSEMBLY**



**WIRING DIAGRAM**



**SPECIFICATIONS**

Output Rating (BTU Per Hour)	150,000
Fuel	Kerosene or #1 fuel oil
Fuel Tank Capacity (U. S. Gallons)	13.5
Fuel Consumption (Approximate U.S. Gallons Per Hour)	1.1
Electric Requirements	120V/60Hz
Amperage (During Normal Run)	4.5
Starting Amps	10

Motor RPM	3450
Hot Air Output (Approximate CFM)	648
Air Pump Pressure (PSI)	5.0
Shipping Weight (Approximate Pounds)	94
Heater Weight Without Fuel (Approximate Pounds)	77