

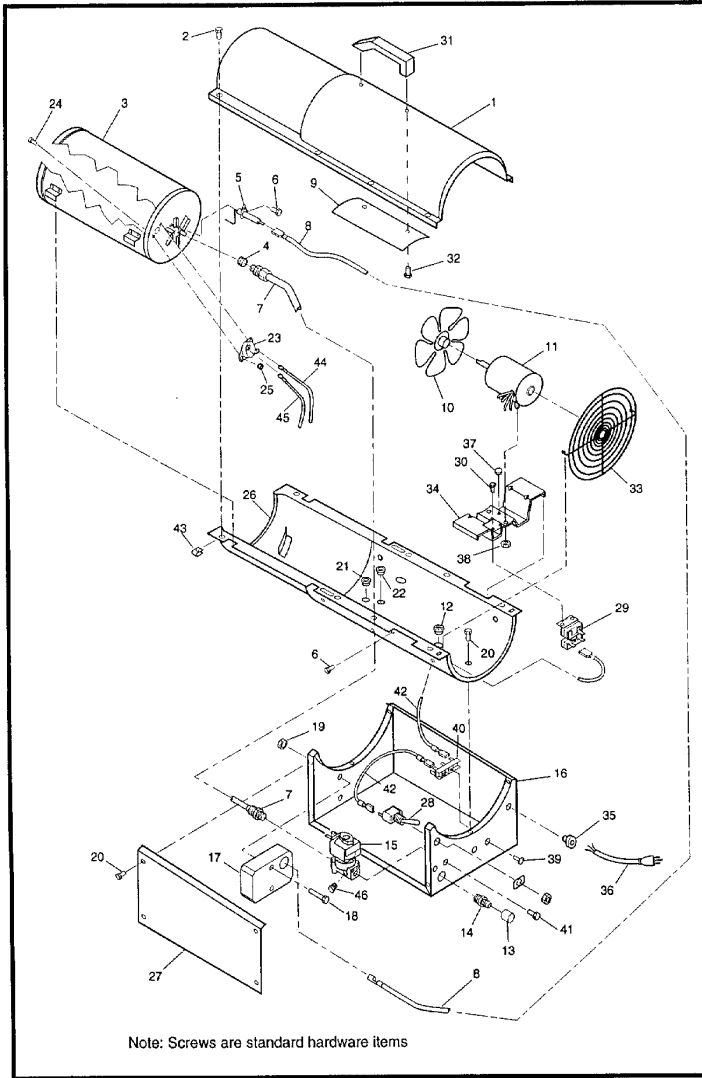


**PORTABLE FORCED AIR
LP GAS HEATER**
Illustrated Parts List

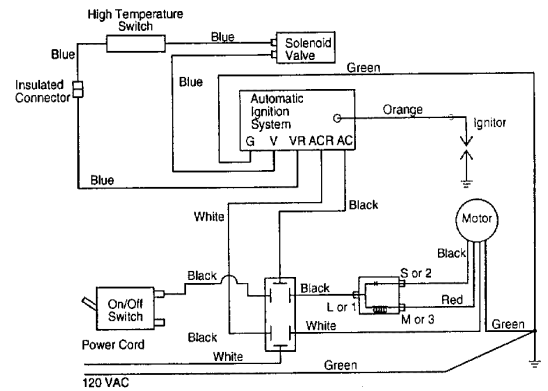
HP155A

IMPORTANT: Do not use key numbers when ordering service parts. Always order components by part number and description. Include model and serial numbers.

| Ref. No. | Part No. | Description | Qty. | Ref. No. | Part No. | Description | Qty. |
|----------|-------------|---------------------------|------|----------------------------------|-------------|-------------------------------------|------|
| 1 | 098511-75 | Upper Shell, Model HP155A | 1 | 30 | M12461-13 | Screw, #8-32 x 1/4" | 2 |
| 2 | M15823-27 | Screw, #10-16 x 1/2" | 8 | 31 | M51104-01 | Handle | 1 |
| 3 | 098512-35 | Combustion Chamber Kit | 1 | 32 | M11084-29 | Screw, #10-16 x 3/4" | 2 |
| 4 | 099138-01 | Nozzle | 1 | 33 | 097964-03AA | Fan Guard | 1 |
| 5 | 099133-01 | Ignitor | 1 | 34 | 098138-02 | Motor & Relay Support Bracket Assy. | 1 |
| 6 | M11084-38 | Screw, #8-18 x 3/8" | 2 | 35 | M11143-1 | Strain Relief Bushing | 1 |
| 7 | 099334-01 | Fuel Tube Kit | 1 | 36 | 098219-17 | Power Cord | 1 |
| 8 | 097806-02 | Ignitor Cable | 1 | 37 | M50631 | Rubber Bumper | 2 |
| 9 | M51108-01 | Heat Shield | 1 | 38 | NTC-4C | Lock Nut | 2 |
| 10 | M51153-01 | Fan | 1 | 39 | 099157-01 | Break Mandrell Rivet, 3/16" | 1 |
| 11 | 099131-01 | Motor | 1 | 40 | 099125-01 | Terminal Board | 1 |
| 12 | 097776-01 | Universal Bushing | 1 | 41 | M12461-25 | Screw, #10-32 x 1/4" | 2 |
| 13 | 078978-01 | Sleeve Cap | 1 | 42 | M9900-170 | Wire Assembly | 2 |
| 14 | M51572-02 | Male Connector | 1 | 43 | M11271-8 | Clip Nut | 8 |
| 15 | 099132-01 | Solenoid Valve | 1 | 44 | 101480-02 | High Temperature Wire Assembly | 1 |
| 16 | 097966-04AA | Base | 1 | 45 | 101480-03 | High Temperature Wire Assembly | 1 |
| 17 | M51605-02 | DSI Control | 1 | 46 | 098276-01 | Plug 1/8 NPTF Hex | 1 |
| 18 | M12461-7 | Screw, #6-32 x 1" | 2 | PARTS AVAILABLE—NOT SHOWN | | | |
| 19 | 099432-01 | Hex Nut, #6-32 | 2 | | 101568-01 | Owner's Manual | 1 |
| 20 | M11084-27 | Screw, #10-16 x 1/2" | 10 | | 098333-01 | Tradename Decal, Model HP155A | 2 |
| 21 | M50104-05 | Shorty Bushing | 1 | | 099159-02 | General Information Decal | 1 |
| 22 | M50104-01 | Shorty Bushing | 1 | | LPA3070 | Regulator & Hose Assembly | 1 |
| 23 | 101481-01 | Thermal Limit Switch | 1 | | LPA1010 | 10' Hose Assembly | 1 |
| 24 | 097968-05 | Screw, #4-40 x 1/2" | 2 | | LPA2100 | Regulator | 1 |
| 25 | 097384-04 | Hex Nut, #4-40 | 2 | | LPA4020 | Fuel Gas Connector | 1 |
| 26 | 098511-133 | Lower Shell, Model HP155A | 1 | | HA1210 | Thermostat | 1 |
| 27 | 097965-02AA | Side Cover | 1 | | | | |
| 28 | 098226-01 | On/Off Switch | 1 | | | | |
| 29 | 098165-01 | Relay Kit | 1 | | | | |



WIRING DIAGRAM



SPECIFICATIONS

| | |
|---|-----------------------------------|
| Output Rating (BTU/Hr) | 150,000 |
| Fuel | Propane Vapor Only |
| Fuel Consumption | |
| Gallons/Hour | 1.6 |
| Pounds/Hour | 7 |
| Supply Pressure To Regulator | |
| Minimum (for input adjustment) | 10 psi |
| Maximum | Tank Pressure |
| Regulator Outlet Pressure (Factory Preset) .. | 12.5" W.C. |
| Manifold Pressure | 9.8" W.C. |
| Hot Air Output (CFM Approx.) | 550 |
| Motor | 3430 RPM, 1/8 H.P. |
| Electric Input | 120V/60Hz |
| Amperage | 2.2 |
| Ignition | Direct Spark, Interrupted Type |
| Ignitor Gap (Inches) | 13/15 |
| Weight (Pounds) | |
| Heater | 24 |
| Shipping | 35 |
| Size - L x W x H (Inches) | 36.25 x 14.5 x 20 |