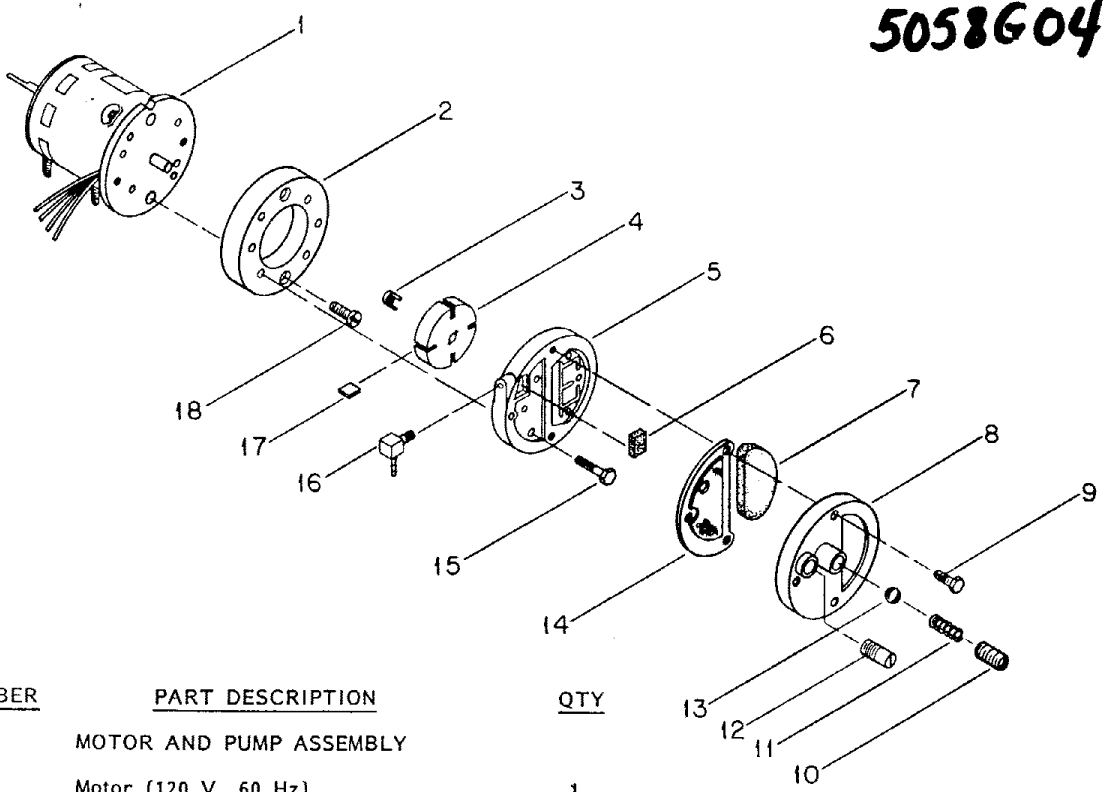


PARTS

CO-OP MODEL: C50B

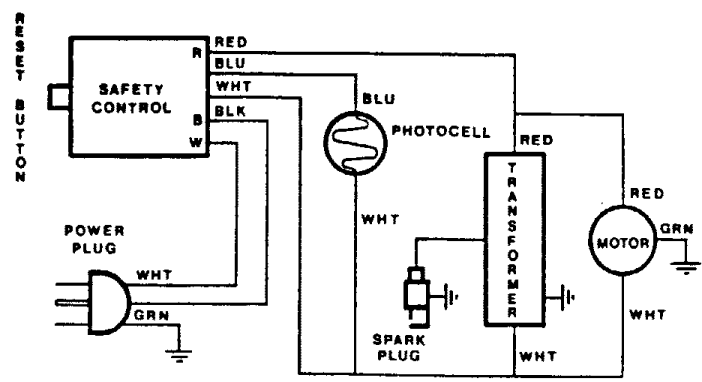
Spec. No.
5058604



MOTOR AND PUMP ASSEMBLY
EXPLODED VIEW

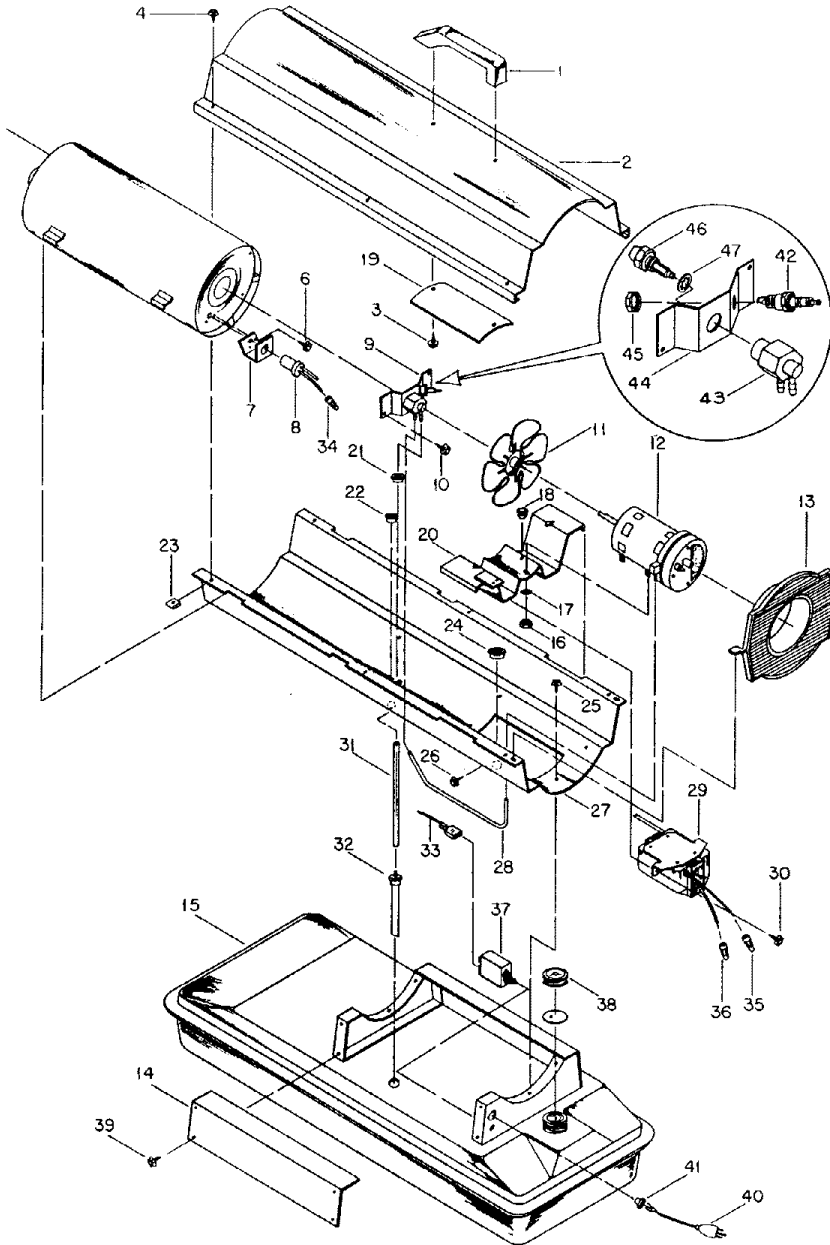
KEY NO.	PART NUMBER	PART DESCRIPTION	QTY
	M29750-04	MOTOR AND PUMP ASSEMBLY	
1	M50843-01	Motor (120 V, 60 Hz)	1
2	M8645	Pump Body	1
3	M22009	Insert, Rotor	1
4	M22456-1	Pump Rotor	1
5	M29608	Cover, End Pump	1
6	M29632	Filter, Lint	1
7	M29633	Filter, Intake	1
8	M29609	Cover, Filter End	1
9	M12461-31	Screw, Hex Head (10-32 x 1)	3
10	M27694	Screw, Adjusting	1
11	M10993-1	Spring, Pressure Relief	1
12	M22997	Plug, Pipe	1
13	M8940	Ball, Steel (1/4 Dia)	1
14	M29612-01	Filter, Output	1
15	M12461-31	Screw, Hex Head (10-32 x 1)	6
16	M50016	Elbow 90°	1
17	M8643	Blade	4
18	FHPF3-4C	Screw, Fillister Head (10-32 x 1/2)	2

WIRING DIAGRAM



CO-OP MODEL: C50B

Spec. No. 5058G04



HEATER EXPLODED VIEW
MODEL C50B

KEY NO.	PART NUMBER	PART DESCRIPTION	C50B QTY.
1	M51104-01	Handle	1
2	M50901-01BE	Shell, Upper	1
3	M50589-01	Screw, Handle (10-14 x 9/16)	2
4	M11084-27	Screw, Hex Head (10-16 x 1/2)	6
5	M50785-04	Combustion Chamber	1
6	M10908-2	Screw, Hex Head (6-32 x 3/8)	2
7	M16660	Bracket, Photocell	1
8	M16656-9	Photozell Assembly	1
9	M29707-03	Burner Head Assembly	1
10	M11084-26	Screw, Hex Head (10-16 x 3/8)	2
11	M30884	Fan (Includes 1/4-28 x 1/4 Set Screw)	1
12	M29750-04	Motor and Pump Assembly (See Page 11)	1
13	M51105-01	Fan Guard	1
14	M50899-03AA	Cover, Side	1
15	M50811-05AA	Tank, Fuel	1
16	NJC-4C	Nut, Hex Jam	2
17	WL1-4C	Washer, Lock	2
18	M50631	Bumper, Rubber	2
19	M51108-01	Shield, Heat-Shell	1
20	M50784	Bracket, Motor Mounting	1
21	M30865-02	Bushing (Wire from Transformer to Spark Plug)	1
22	M25907	Bushing (Photocell Wires)	1
23	M11271-8	Nut, Clip	6
24	M50104-02	Bushing (Wires)	1
25	M11084-26	Screw, Hex Head (10-16 x 3/8)	6
26	M15823-37	Screw (Grounding, 8-18 x 1/4)	1
27	M50902-01BE	Shell, Lower	1
28	M29652-04	Airline (Rubber Tubing)	1
29	M50570-03	Transformer	1
30	M11084-26	Screw, Hex Head (10-16 x 3/8)	2
31	M29652-05	Fuel Line (Rubber Tubing)	1
32	M50876-02	Assembly Fuel Filter	1
33	M9900-157	Wire Assembly (Red)	1
34	M13942-7	Connector, Wire (Blue Photocell Wire)	1
35	M13942-5	Connector, Wire (Red Wires)	1
36	M13942-6	Connector, Wire (White Wires)	1
37	M50300-01	Control, Flame Out (Safety)	1
38	M51027-06	Cap, Fuel Tank	1
39	M11084-26	Screw, Hex Head (10-16 x 3/8)	2
40	M10813-81	Power Cord	1
41	M11143-1	Bushing Strain Relief	1
42	M29835	Spark Plug	1
43	M29805	Adapter, Nozzle	1
44	M29615-01	Bracket	1
45	M29824	Nut, 14 MM	1
46	M50597	Nozzle	1
47	M16741-18	Ring, Retaining	1

PARTS AVAILABLE-NOT SHOWN

1	M51138-03	Decal, Wiring Diagram
2	M50011	Decal, Spark Plug
3	M51109-04	Decal, Nameplate
4	M51110-02	Decal, Warning
5	M24529-03	Decal, Tradename