

QUEEN-B MODELS HB-100 and HB-100D
Spec. 3114G04 and 3114G16 Form No. 2729 (5/71)

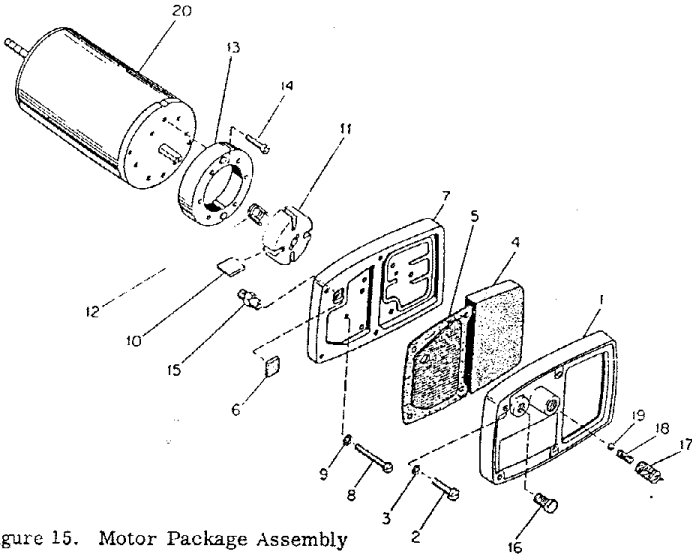


Figure 15. Motor Package Assembly

Fig. & Index No.	Part Number	Part Name	Qty.
14-	M23150-1	Burner Head Assembly	1
1	M16790-2	. Filter Tube	1
2	M19630	. Filter, Fuel	1
3	M13849	. Nut, Flared	1
4	M16741-18	. Ring, Retaining	1
	M23151-1	. Nozzle Adapter Assy	1
5	M16791	. . Connector, Male	1
6	M5976	. . Connector, Male	1
7	M8882	. . Sleeve, Nozzle Seal	1
8	M10659-1	. . Washer, Nozzle Seal	2
9	M10809-1	. . Spring, Nozzle Seal	1
10	M23103	. . Nozzle, Aspirating 0.66 GPH	1
11	M16535	. . Adapter, Nozzle	1
12	M16895G1	. Spark Plug Assy	1
13	M16534	. Body, Burner Head	1

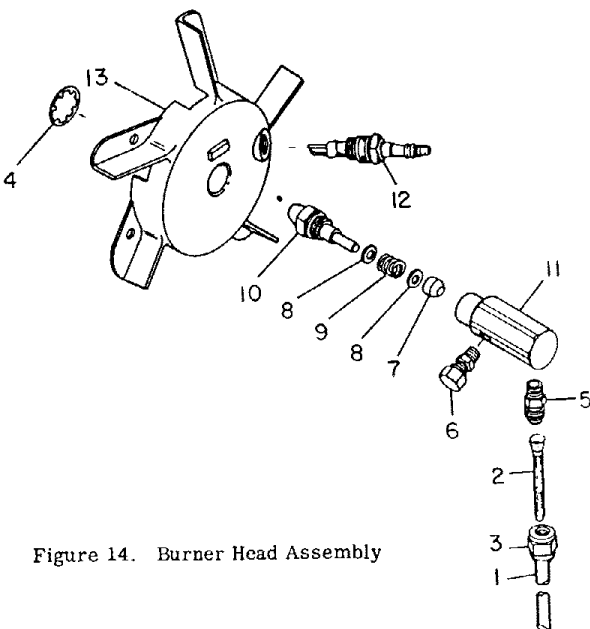


Figure 14. Burner Head Assembly

Fig. & Index No.	Part Number	Part Name	Qty.
15-	M23149-1	Motor Package Assembly	1
1	M16545	. End Cover, Filter	1
2	M12461-31*	. Screw (Filter End Cover to Pump End Cover)	4
3	WLI-3	. Lockwasher, Internal No. 10	4
4	M12179	. Intake Air Filter	1
5	M12244-1	. Output Filter Assy	1
6	M11637	. Filter, Lint	1
7	M12233	. Front Cover, Pump (Port Plate)	1
8	M12461-32*	. Screw (End Cover to Motor)	6
9	WLI-3	. Lockwasher, Internal No. 10	6
10	M8643	. Blade	4
11	M22456-1	. Rotor	1
12	M22009	. Insert	1
13	M8645	. Pump Body	1
14	FHPP3-4C	. Screw (Pump Body to Motor)	2
15	M5976	. Connector, Male	1
16	M22997	. Plug, Pipe	1
17	M23105	. Screw, Pressure Adjustment	1
18	M10993-1	. Spring, Compression (Pressure Relief)	1
19	M8940	. Ball 1/4 in. dia.	1
20	M23107-1	. Motor	1

* Standard hardware. Purchase locally.

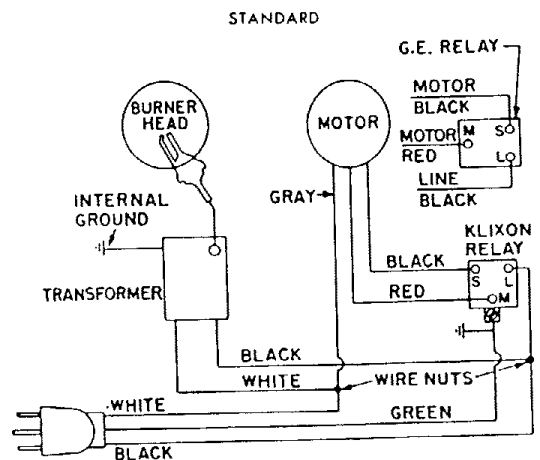
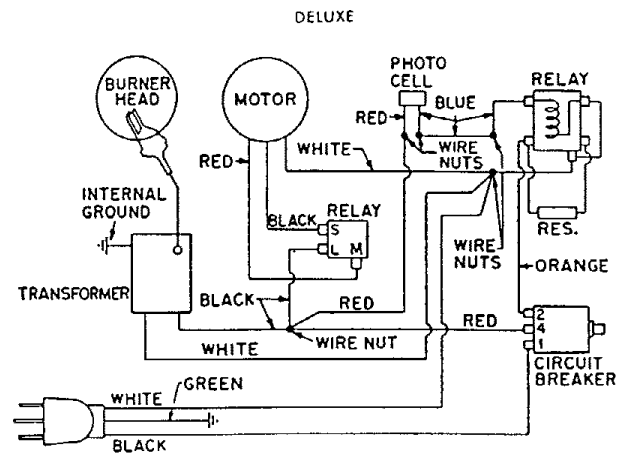


Figure 9. Standard and Deluxe Wiring Diagrams

QUEEN-B MODELS HB-100 and HB-100D
 Spec. 3114G04 and 3114G16
 Form No. 2729 5/71

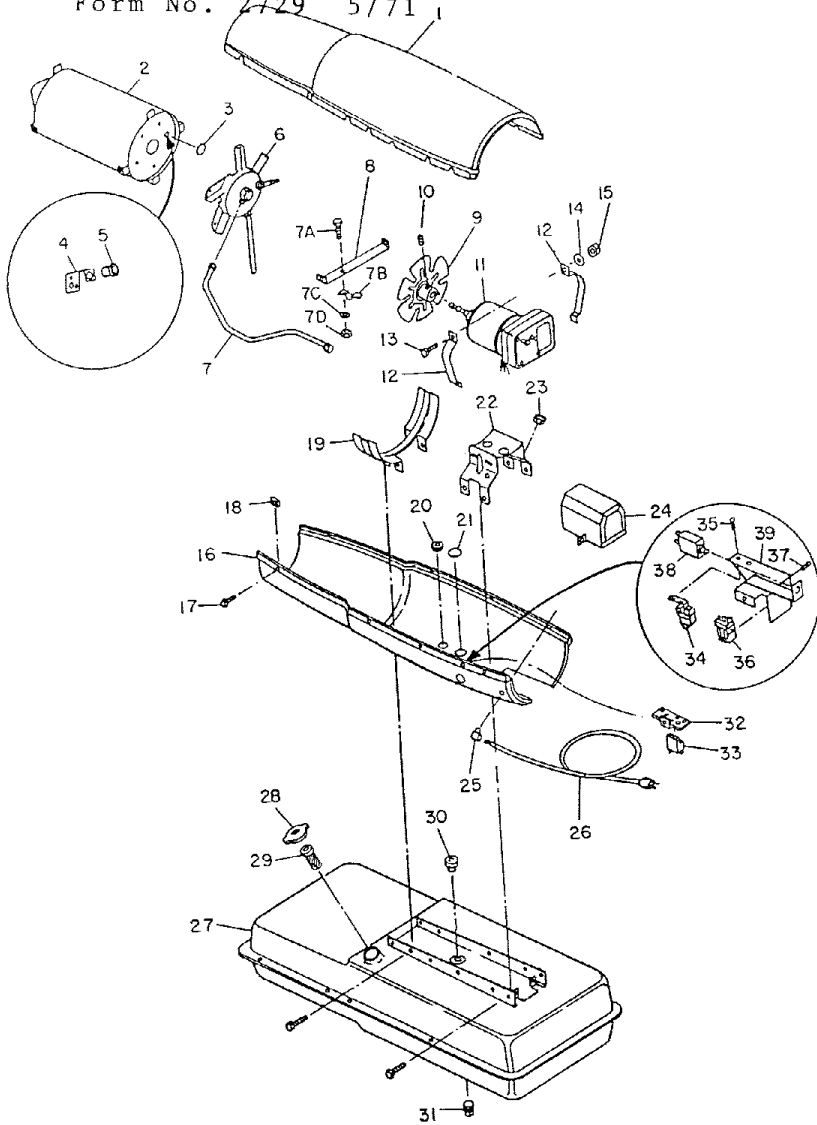


Figure 13. Heater Exploded View

Fig. & Index No.	Part Number	Part Name	Notes HB-100	HB-100D
34	M12462-9	Relay	-	1
35	RC2-2C*	Screw (Relay to Relay Bracket)	-	2
36	M14378-2	Relay Assembly	-	1
37	M12461-2*	Screw (Relay to Relay Bracket)	-	1
38	M14360	Breaker, Circuit	-	1
39	M16851-1	Bracket Assembly, Control	-	1
	M9900G62	Wire Assembly, Black (To Starting Relay)	1	-
	M9900G2	Wire Assembly, Black (To Starting Relay)	-	1
	M9900G80	Wire Assembly (To Breaker)	-	1
	M16615-1	Harness Assembly	-	1
	M13942-2	Connector (Cell and Bushing and Relay to Circuit Breaker)	-	3
	M13942-4	Connector (Relay Leads)	2	2

* Standard hardware. See Standard Screw List.
 @ Specify Color when ordering painted parts.

Fig. & Index No.	Part Number	Part Name	Notes HB-100	HB-100D
13-1	M13134-3C	Shell, Upper	@ 1	1
2	M16783-4	Chamber, Combustion	1	1
	M11084-27*	Screw (Combustion Chamber attaching front)	2	2
	M11084-29*	Screw (Combustion Chamber attaching rear)	2	2
3	M15995	Plug, Button (Combustion Chamber rear head)	1	-
4	M16660	Bracket, Photocell	-	1
	M10908-1*	Screw (Photocell Bracket to Combustion Chamber rear head)	-	2
5	M16656-1	Cell and Bushing Assy	-	1
6	Ref	Burner Head Assembly (See figure 14)	1	1
	M11084-27*	Screw (Burner Head to Combustion chamber)	3	3
7	M16879	Air Line	1	1
8	M15807	Strap, Retainer	1	1
	M11084-27*	Screw (Retainer Strap to Lower Shell)	2	2
9	M23147	Fan	1	1
10	SF4-2-1/2K	Setscrew, Soc. Hd, cup pt. 1/4-28 x 5/16 inch (Fan to Motor Shaft)	-	2
11	Ref	Motor Package Assembly (See figure 15)	1	1
12	M16661	Clamp, Motor	4	4
13	HC4-10C*	Screw (Motor Clamps)	2	2
14	WLM-4*	Lockwasher 1/4 in. (Motor Clamps)	2	2
15	NPC-4C*	Nut, Hex, 1/4-20 (Motor Clamps)	2	2
16	M16777C	Shell, Lower	@ 1	1
17	M11084-27*	Screw, (Upper Shell to Lower Shell)	6	6
18	M11271-6*	Nut, Tinnerman (Upper Shell to Lower Shell)	6	6
19	M12330A	Bracket, Shell Support	1	1
	M11084-27*	Screw (Support Bracket to Lower Shell and Fuel Tank)	4	4
	M11084-29*	Screw (Lower Shell to Support Bracket)	2	2
20	1000576	Grommet (Ignition cable thru Lower Shell)	2	3
21	M15809	Plug, Button (17/32 in. dia.)	1	-
22	M16646	Bracket, Motor Support	1	1
	M11084-27*	Screw (Motor Support Bracket to Lower Shell and Fuel Tank)	6	6
23	1000576	Grommet (Motor Leads thru Motor Support Bracket)	1	1
24	M16697	Transformer, 5000 Volt	1	1
	M11084-27	Screw (Transformer to Motor Support Bracket)	2	2
25	M11954	Bushing, Strain Relief (Service Cord to Lower Shell)	1	1
26	M10813-33	Cord Assembly, Extension	1	-
	M10813-34	Cord Assembly, Extension	-	1
27	M18360-2B	Tank Assembly, Fuel	1	1
28	M18051	Cap, Fuel Tank	1	1
29	M18053	Screen, Fuel Filler Neck	1	1
30	M10990-3	Bushing, Rubber (Fuel Filter into Fuel Tank)	1	1
31	M21040	Plug, Pipe, Hex hd., 1/4-28	1	1
32	M11952	Bracket, Starting Relay Mounting	1	-
33	M12462-9	Relay, Starting	1	-
	RC2-2C*	Screw (Starting Relay to Mounting Bracket)	2	-
	WLI-2	Lockwasher, Internal No. 8	2	-
	ST2-2AC	Screw (Grounding)	1	1
	M11084-27	Screw (Relay Bracket to Shell)	1	1
	M16852-5	Relay Bracket Assembly	1	1

Fig. & Index No.	Part Number	Part Name	Qty.	
			HB-100	HB-100D
16-1	M15808A	Handle, Front	1	-
	M15808-2	Handle, Front	-	1
2	M15131A	Handle, Rear	1	-
	M15131-2	Handle, Rear	-	1
3	M12342B	Wheel Support Frame	1	-
	M12342-2	Wheel Support Frame	-	1
4	*M12345-31	Screw	2	2
5	*WP-3C	Washer	2	2
6	*M12345-34	Screw (Handles and Wheel support frame to fuel tank)	8	8
7	*NTC-3C	Nut, Hex 10-24 Torque Lock	10	10
8	M16801	Axle	1	1
9	M19294	Wheel	2	2
10	WPC-8C	Washer, Flat	2	2
11	M16741-15	Ring, Retaining	2	2

* Standard hardware. Purchase locally.

DECALS

Part Number	Part Name	Qty.	
		HB-100	HB-100D
M19783	Decal, Trade Name	1	1
M22898	Decal, Nameplate	1	1
M23152-4	Decal, Model	1	-
M23152-13	Decal, Model	-	1
M12634	Decal, Wiring	1	-
M17218	Decal, Wiring	-	1
M17081	Decal, Atomaster	1	1
M18196	Decal, Mfg. By	1	1
M16749	Decal, Safety Control	-	1
M14752	Decal, FEMA approval	1	1
M22743	Decal, Warning	1	1
TOUCH-UP PAINT			
M13386-8	Paint, Black, Aerosol Can		
M13386-14	Paint, Blue, Aerosol Can		

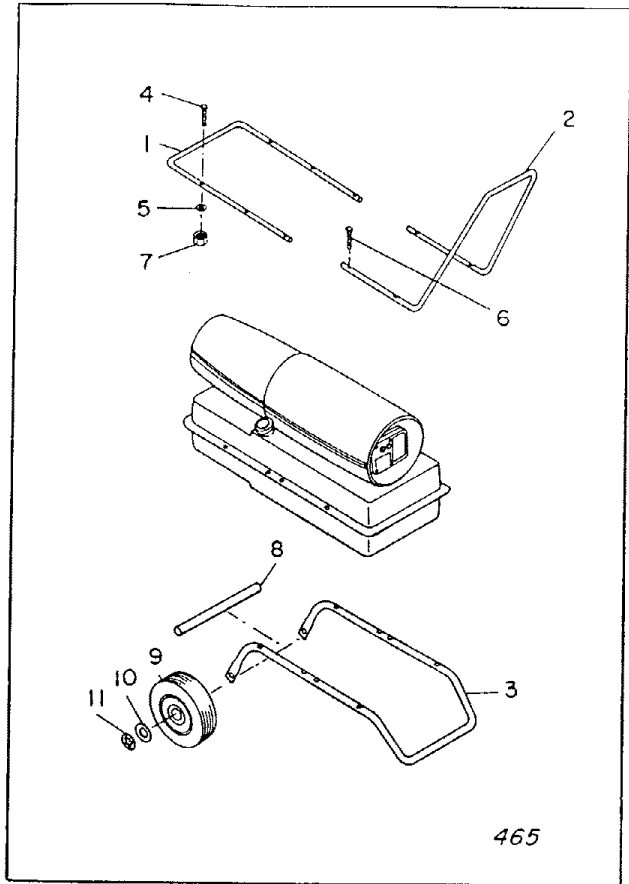


Figure 16. Handles and Wheels

STANDARD SCREWS

Part Number	Part Name
FHPF3-4C	Screw, Fillister hd, No. 10-32 x 1/2 in.
FHPF3-7C	Screw, Fillister hd, No. 10-32 x 7/8 in.
HC4-10C	Screw, Hex hd. machine, 1/4-20 x 1-1/4 in.
RC2-2C	Screw, Rd hd, No. 8-32 x 1/4 in.
ST2-2AC	Screw, Self-tapping, Rd hd, No. 8-15 x 1/4 in.
M11084-27	Screw, Self-tapping, hex hd, No. 10-12 x 1/2 in., Type "A"
M11084-29	Screw, Self-tapping, hex hd, No. 10-12 x 3/4 in., Type "A"
M12345-31	Screw, Oval hd machine, No. 10-24 x 1-1/4 in.
M12345-34	Screw, Oval hd machine, No. 10-24 x 2 in.
M12461-31	Screw, Hex hd, No. 10-32 x 1 in.
M12461-32	Screw, Hex hd, No. 10-32 x 1-1/8 in.
M12461-34	Screw, Hex hd, No. 10-32 x 1-1/2 in.
M15823-26	Screw, Self-tapping, hex hd, No. 10-12 x 3/8 in., Type "B"
M12461-2	Screw, Hex hd, No. 6-32 x 3/8 in.
M10908-1	Screw, Self-tapping, hex hd, 6-32 x 1/4 in., Type "S"