

QUEEN-B MODEL SB Spec. Nos. 2810G-8 and 2810G8-1 (see below)
Form No. 2082 (10/66)

Index No.	Part Number	Part Name	Quan. per Assembly		Index No.	Part Number	Part Name	Quan. per Assembly	
			Spec. No. 2810G8	Spec. No. 2810G8-1				Spec. No. 2810G8	Spec. No. 2810G8-1
(A)	M11148G5	<u>Motor, Pump and Burner Head Assy</u>	1	1	46	M10990-3	Bushing, Rubber	1	1
(B)	M12428G3	<u>Burner Head Assy</u>	1	1	47	WP-3C	Washer, Plain, 3/8 in.	**2	2
1	M11054-1	. Nozzle, Siphon	1	1	48	M15823-26	Screw, Self-tapping, hex hd, No. 10-12 x 3/8, type "B"	**2	2
2	M10659-1	. Washer, Nozzle seal	2	2	49	M10816G15	Lead, Electrode	1	1
3	M10809-1	. Spring, Nozzle seal	1	1	50	M14291	Transformer	1	-
4	M8882	. Sleeve	1	1	50	M15063	Transformer	-	1
5	M10837	. Plug, Hex head	1	1	51	M11143-1	Bushing, Strain relief	1	1
6	M10992-1	. Screw, Adjusting	1	1	52	M13942-4	Connector, Wire	2	2
7	M10993-1	. Spring, Pressure relief	1	1	53	M10813G15	Cord, Service (extension)	1	1
8	M8940	. Ball, 1/4 dia.	1	1	55	M11151-1	Cap, Filler neck	φ1	1
9	M12461-54	. Screw, Hex hd, No. 10-24 x 7/8	**2	2	56	M14246	Seal, Rubber	1	1
10	M12576	. Body, Valve	1	1	57	M12424-2	Skirt, Tank	φ1	1
11	M12577	. Gasket	1	1	58	M12416G2	Tank, Fuel	φ1	1
12	*M9942G3	. Filter Element (output)	1	1	59	*M11146-1	Element, Filter, intake	1	1
13	M12578	. Filter, Lint	1	1	60	M12749-25	Screw, Fil hd, No. 10-24 x 1/2	**2	2
14	*M10962-2	. Spark Plug	1	1	61	M10747-1	Body, Filter	1	1
15	M14525	. Electrode Retainer	1	1	61	M14785	Body, Filter	-	1
16	M12273	. Body, Burner head	1	1	62	M10257-2	Gasket, Intake Filter	1	1
17	M10908-38	. Screw, Self-tapping, hex hd No. 12-24 x 3/8 type "S"	**1	1	63	WLI-2C	Lockwasher	**2	2
18	*M10718-1	. O-Ring	1	1	64	RC2-2C	Screw, Round hd, No. 8-32 x 1/4	**2	2
19	M14266G1	. Fuel Filter	1	1	65	M9900G37	Wire Assembly, Black	1	2
20	ROP12-8	. Roll Pin, 3/16 x 1/2	**4	4	66	M12462-2	Relay	1	1
(C)	M12429G1	<u>Motor & Pump Assembly</u>	1	1	67	M10908-51	Screw, Hex hd, type "S" No. 10-24 x 1/2	**2	2
21	FHPF3-8C	. Screw, Fil hd, No. 10-32 x 1 1/2	**4	4	68	M12433	Bracket, Relay & Filter	1	1
22	M12430	. End Cover, Pump	1	1	69	M13293	Grommet, Rubber	1	1
23	FHPF3-4C	. Screw, Fil hd, No. 10-32 x 1/2	**2	2	70	M12432	Tube, Air Intake	1	1
24	M8645	. Body, Pump	1	1	71	M12568	Cover, Filter	φ1	1
25	M11959	. Rotor, Pump	1	1	72	M10908-2	Screw, Hex hd, No. 6-32 x 3/8, type "S"	**1	1
26	M11966-5	. Spring	1	1	73	M12436G2	Housing, Heater	φ1	1
27	M8643	. Blade	4	4	74	M11292-1	Cap, Leg	4	4
28	M11938	. Motor	1	1	75	M12461-55	Screw, Hex hd, No. 10-24 x 1	**4	4
29	M8947	. . End Shield, Motor front (service only)	1	1	76	M11271-4	Nut, Tinnerman	**4	4
-	M8802-38	. . Ball Bearing, Motor	1	1	76	NTC-3C	Nut, Torque, 10-24 (Supersedes No. M11271-4)	**-	4
-	M15776	. . Rotor and Shaft Assy	1	1	77	M12488	Leg, Front and Rear	φ2	2
-	M15777	. . Shell and Stator, 115V, 60C	1	1	78	M12655	Support, Leg	φ2	-
30	M11265-1	Seal	1	-	78	M15406	Support, Leg	φ1	2
30	M13372	Seal	-	1	79	RPC4-18C	Screw, Rd hd, 1/4-20 x 2-1/4	2	2
31	FHF3-20C	Screw, Fil hd, No. 10-32 x 2-1/2	**2	2					
32	M15767G1	End Cap and Nose Cone Assy	φ-	-					
32	M12425G1	End Cap Assy	φ1	-					
33	M12461-64	Screw, Hex hd, 1/4-20 x 5/8	**2	2					
34	WLI-4C	Lockwasher	2	2					
35	M10979G2	Combustion Chamber and Nose Cone Assembly	1	-					
35	M15770G1	Combustion Chamber	-	1					
35A	M15995	Plug Button	-	1					
36	HC4-10C	Screw, Round hd, 1/4-20 x 1-1/4	**2	2					
37	M10964-1	Clamp, Motor	4	4					
38	M13620	Spacer	2	2					
39	WLM-4C	Lockwasher, 1/4-inch	**2	2					
40	NPC-4C	Nut, Hex, 1/4-20	**2	2					
41	*M12431-2	Fan (20° Pitch)	1	1					
42	SFK-4-2	. Setscrew, socket hd, cup pt. 1/4-28 x 1/4	**2	2					
43	M12461-64	Screw, Hex hd, 1/4-20 x 5/8	**2	2					
44	WLI-4C	Lockwasher, Int. tooth, 1/4 in.	**2	2					
45	M12427G1	Guard, Fan	φ1	1					

(*) - Parts recommended for normal service replacement.
(**) - Standard hardware, obtainable locally.
(φ) - Specify color when ordering painted parts.

SB Spec. Nos. 2810G8-2 & 2992G8-2

SB Deluxe Spec. Nos. 2810G18-1
2992G18
299G18-2

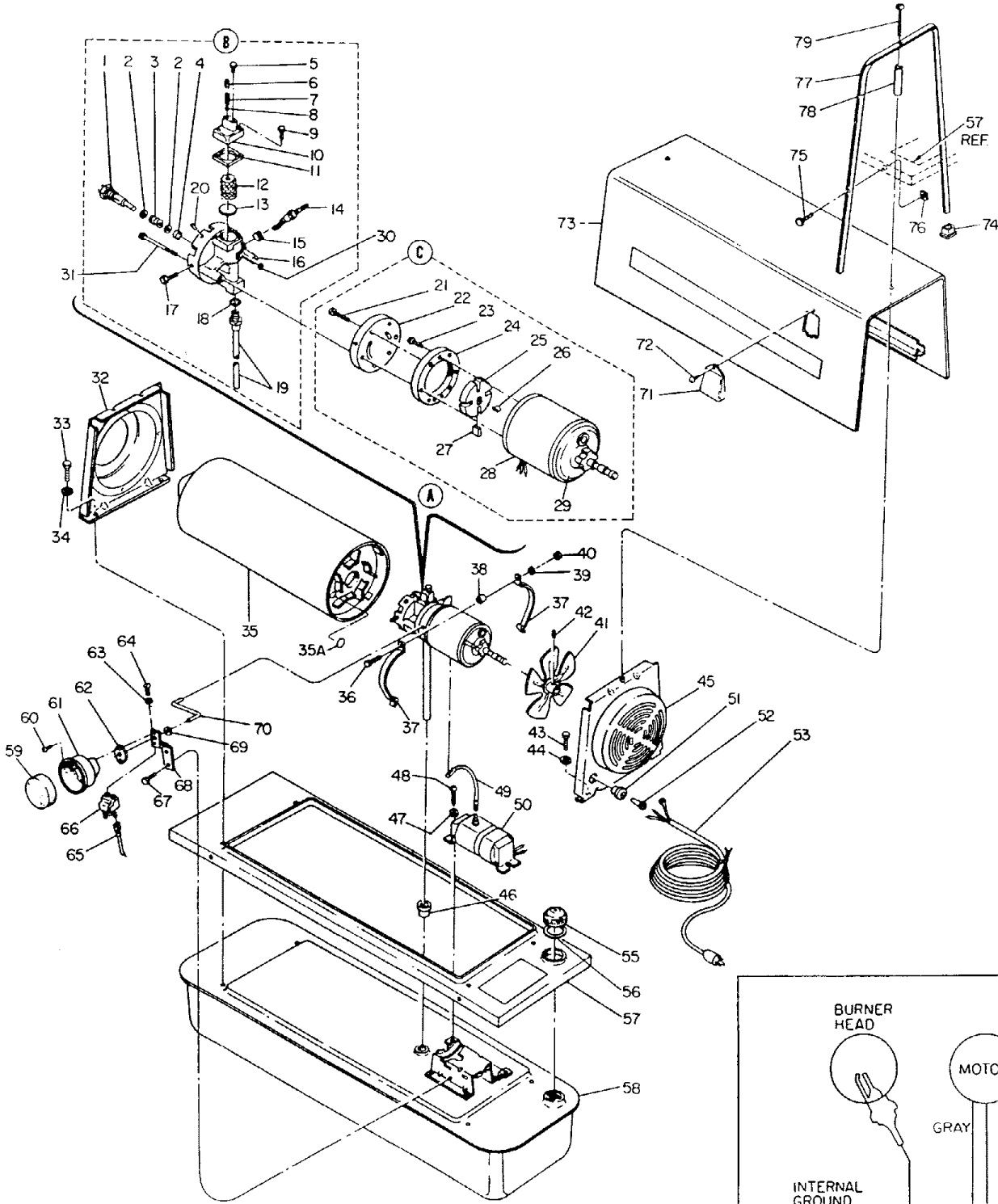


Figure 9. Exploded View, Model SB Portable Heater

SB Spec. Nos. 2810G8-2 & 2992G8-2

SB Deluxe Spec. Nos. 2810G18-1
 2992G18

2992G18-2

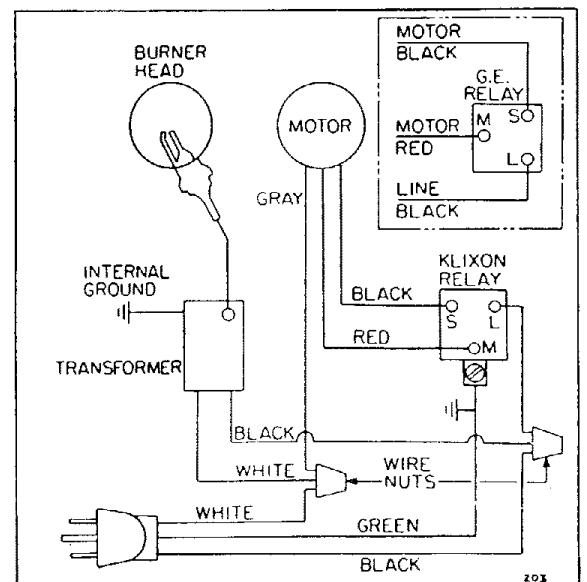


Figure 4. Wiring Diagram