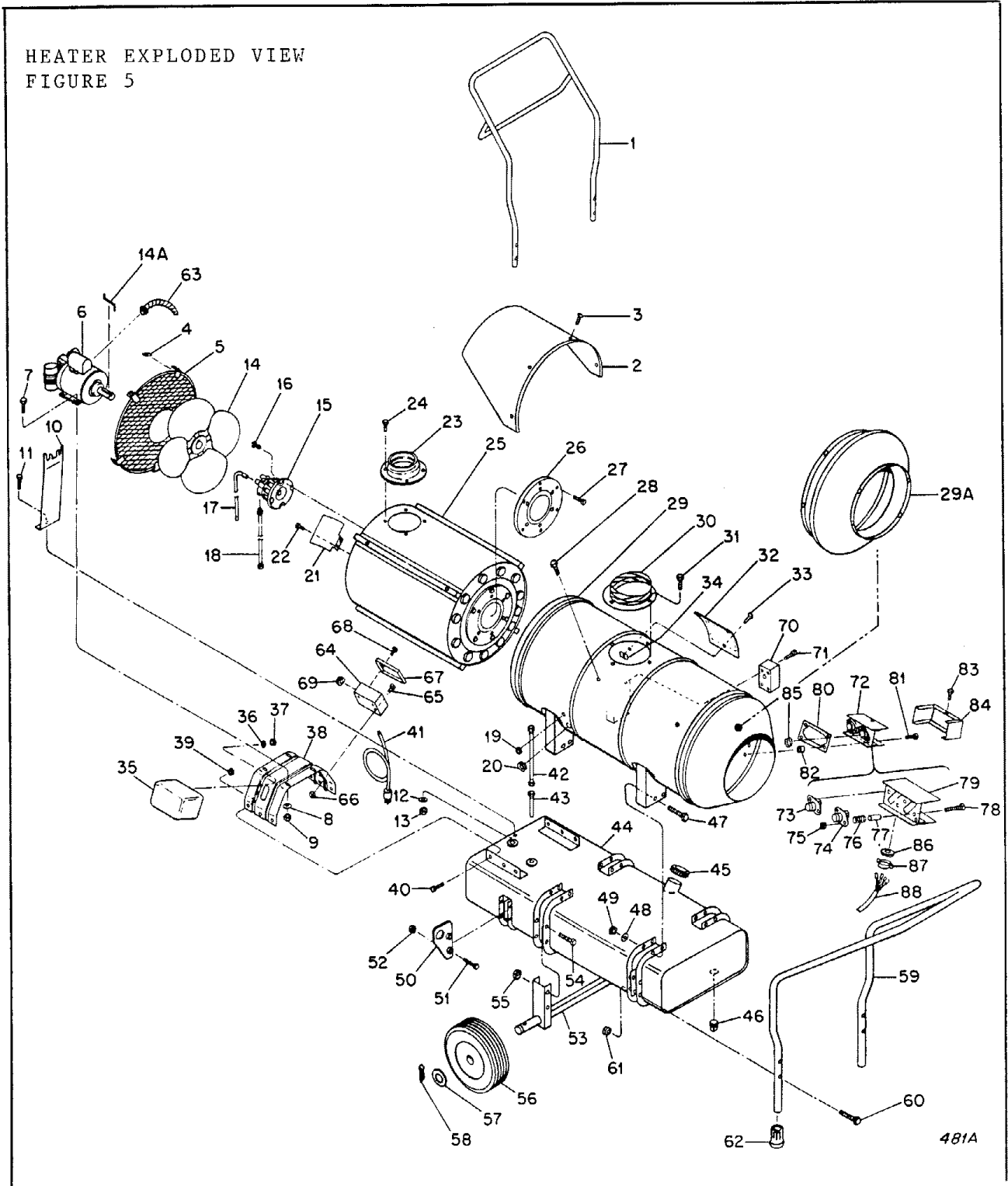


# REDDY HEATER MV-440 HIGH PRESSURE FORM NO. 2573 (6/70)

HEATER EXPLODED VIEW  
FIGURE 5



# REDDY HEATER HIGH PRESSURE

# MV-440

# Form No. 2573 (6/70)

Index No.	Part Number	Part Name or Description	HEATER EXPLODED VIEW FIG 5	Quan.
GENERAL ASSEMBLY				
1	M16114G1	Handle Assy, Rear		1
2	M15835	Cowl		1
3	M11084-29	Screw, Self-tapping, hex hd, No. 10-12 x 3/4 in., Type "A" (Attach Cowl and Screen)		7
4	M11271-6	Nut, Tinnerman (Attach Cowl and Screen)		7
5	M17531G1	Guard Screen Assy		1
6	Ref.	Motor and Pump Assy (See Fig. 6)		NA
7	HC6-10C	Screw, Hex hd, 3/8-16 x 1-1/4 in., (Motor to Support)		4
8	WP-6C	Washer, Plain, 3/8 in. (Motor to Support)		4
9	NTC-6C	Nut, Torque Lock, 3/8-16		4
10	M16793	Bracket, Support		1
11	HF3-4C	Screw, Hex hd, No. 10-32 x 1/2 in. (Bracket to Tank)		1
12	WLM-3C	Lockwasher, No. 10 (Bracket to Tank)		1
13	NPF-3C	Nut, Hex, No. 10-32 (Bracket to Tank)		1
14	M16050	Fan		1
14A	M18026	Key, Fan locating		1
15	Ref.	Burner Head Assy (See Fig. 7)		NA
16	M12461-63	Screw, Hex hd, 1/4-20 x 1/2 in. (Attach Burner Head)		2
17	M10816G30	Electrode Lead Assy		2
18	M16049	Fuel Line (Pump to Burner)		1
19	1000576	Grommet (Electrode Leads through Shell)		2
20	M3530	Grommet, 7/8 in. (Fuel line through Shell)		1
21	M15853	Deflector, Air		5
22	M12461-62	Screw, Hex hd, 1/4-20 x 3/8 in. (Deflectors to Heat Exchanger)		10
23	M15844	Casting, Exhaust		1
24	M10908-27	Screw, Self-tapping, hex hd, No. 10-32 x 1/2 in. (Exhaust Casting to Heat Exchanger)		4
25	M15836G1	Heat Exchanger Assy		1
26	M17389G1	Front Head Assy		1

Index No.	Part Number	Part Name or Description	HEATER EXPLODED VIEW FIG 5	Quan.
27	M12461-27	Screw, Hex hd, No. 10-32 x 1/2 in. (Front Head to Heat Exchanger)		6
28	M12461-27	Screw, Hex hd, No. 10-32 x 1/2 in. (Heat Exchanger Assy to Outer Shell)		8
29	M18331G1	Outer Shell Assy		1
29A	M18325G1	Nose Cone and Aspirator		1
-	M10908-26	Screw (Nose Cone and Aspirator to Outer Shell)		7
30	M15838G1	Stack Guard		1
31	M10908-27	Screw, Self-tapping, Hex hd, No. 10-32 x 1/2 in. (Stack Guard to Shell)		4
32	M4812-3	Access Door		1
33	RF3-2C	Screw, Rd. hd., No. 10-32 x 1/4 in. (Access Door)		1
34	M11271-3	Nut, Tinnerman		1
35	M3259-3	Transformer		1
36	WLM-4C	Lockwasher, 1/4 in. (Transformer mounting)		2
37	NPC-4C	Nut, Hex, 1/4-20		2
38	M16169	Support, Motor		1
39	NTC-4C	Nut, Torque Lock, 1/4-20 (Motor Support to Fuel Tank)		6
40	HC4-4C	Screw, Hex hd, 1/4-20 x 1/2 in.		6
41	M10813G12	Extension (Service Cord Assy)		1
42	M3334G13	Fuel Line Assy (Tank to and from Pump)		2
43	M10923G1	Intake and Return Tube Assy (In Fuel Tank)		2
44	M18384G2	Fuel Tank Assy		1
45	M18051	Cap, Filler Neck		1
45A	M18053	Screen, Filler Neck		1
46	M17069	Plug, Pipe		1
47	HC4-20C	Screw, Hex hd, 1/4-20 x 2-1/2 in. (Outer Shell to Fuel Tank)		8
48	WP-4C	Washer, Plain, 1/4 in.		8
49	NTC-4C	Nut, Torque Lock, 1/4-20		8
50	M16117-2	Lifting Eye Plate		4
-	M15114-3	Tube, Spacer		8
51	HC4-20C	Screw, Hex hd, 1/4-20 x 2-1/2 in., (Rear Handle and Lifting Eyes to Fuel Tank)		4

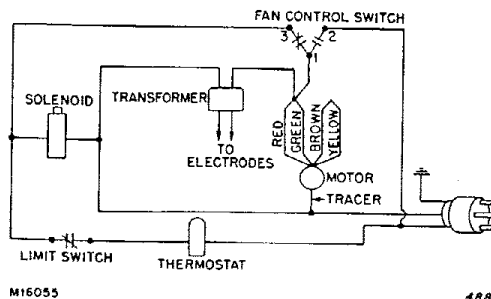
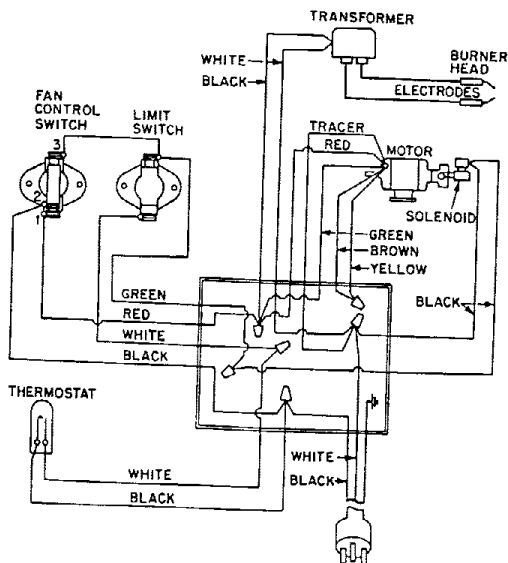
(CONT ' T )

# REDDY HEATER MV-440

## HIGH PRESSURE FORM NO. 2573 (6/70)

Index No.	Part Number	Part Name or Description	Quan.
HEATER EXPLODED VIEW FIG 5			
52	NTC-4C	Nut, Torque Lock, 1/4-20	4
53	M8482	Axle Assy	1
54	HC4-20C	Screw, Hex hd, 1/4-20 x 2-1/2 in. (Axle Assy to Fuel Tank)	4
55	NTC-4C	Nut, Torque Lock, 1/4-20	4
56	M8111	Wheel	2
57	WP-10C	Washer, Plain, 5/8	4
58	C5-10C	Cotter Pin	2
59	M15842	Handle, Front	1
60	HC4-20C	Screw, Hex hd, 1/4-20 x 2-1/2 in. (Front Handle and Lifting Eyes to Fuel Tank)	4
61	NTC-4C	Nut, Torque Lock, 1/4-20	4
62	M3304-3	Rubber Foot	2
CONTROL PARTS			
63	M16853-1	Conduit, Motor Leads	1
64	M3307	Box, Utility	1
65	M12461-27	Screw, Hex hd, No. 10-32 x 1/2 in. (Utility Box to Motor Support)	2
66	NTF-3C	Nut, Torque Lock, No. 10-32	2
67	M5837	Cover, Box	1
68	FC1-2C	Screw, Rd. hd., No. 6-32 x 1/4 in. (Cover to Box)	2
69	M3530	Grommet	4
-	M13942-2	Connector (Wire Nut)	5
-	M13942-1	Connector (Wire Nut)	1
70	M17667	Thermostat Assy	1
71	M10908-1	Screw, Self-tapping, hex hd, No. 6-32 x 1/4 in., Type "S" (Thermostat to Outer Shell)	4
72	M12656G4	Controls and Box Assembly	1

Index No.	Part Number	Part Name or Description	Quan.
HEATER EXPLODED VIEW FIG 5			
73	M12303	. Thermostat, Limit	1
74	M12302	. Thermostat, Fan	1
75	NPC-2C	. Hex Nut, No. 8-32 (Thermostat Mounting)	4
76	M18305	. Spring (Replaces M16740)	4
77	M12297-2	. Collar	4
78	M12461-20	. Screw, Hex hd, No. 8-32 x 1-1/8	4
79	M12657G1	. Control Box	1
80	M16710	Gasket	1
81	M10908-31	Screw, Self-tapping, hex hd, No. 8-32 x 1 in., Type "S" (Control Box Mounting)	4
83	M10908-1	Screw, Self-tapping, hex hd, No. 6-32 x 1/4 in., Type "S" (Cover to Control Box)	1
84	M12661	Cover, Control Box	1
85	M12662-1	Spacer	2
86	M3530	Grommet	1
87	1001349	Connector	3
88	M18306G1	Cable Assy (To Utility Box)	1
-	M15140	Connector, Straight (Solenoid)	1
-	M3486-9	Varnished Tubing (Solenoid Leads)	1
-	M19457	Decal, Tradename (Mfg. By)	1
-	M18196	Decal, Nameplate	1
-	M19824	Decal, Operating Instructions	1
-	M16420	Decal, Caution	1
-	M16055	Decal, Wiring Diagram	1
-	M18667	Kit, Duct Adapter (Optional)	1
-	M20532-1	Decal, Pump Pressure	1
-	M20489	Decal, Model Data	1
-	M5374	Tag, Please Read	1
ALTERNATE EQUIPMENT			
-	M18384G1	Fuel Tank Assy	1

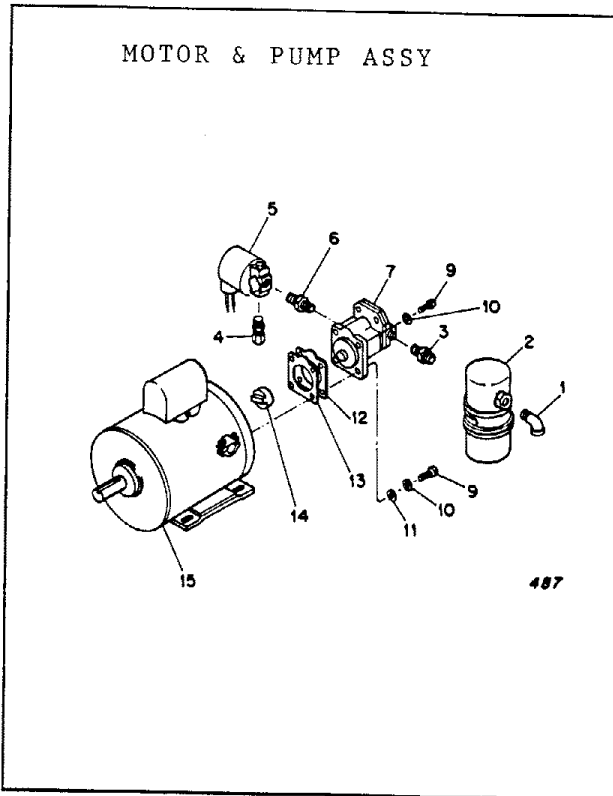


M16055

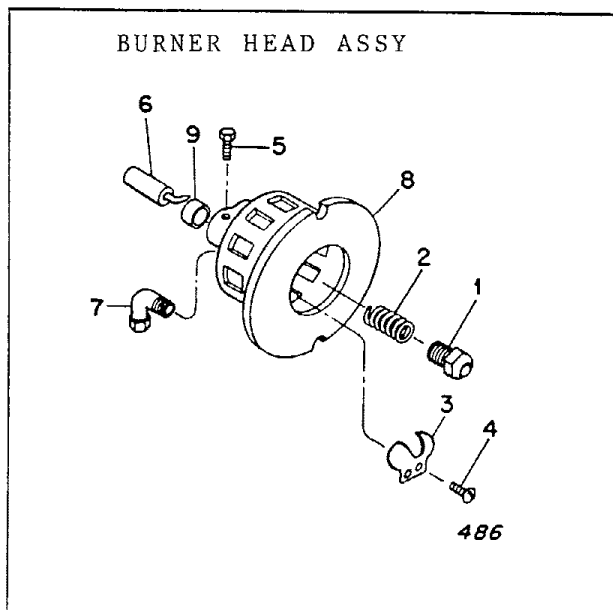
488

# REDDY HEATER MV-440

## HIGH PRESSURE FORM NO. 2573 (6/70)



Index No.	Part Number	MOTOR & PUMP ASSY Part Name or Description	Quan.
-	REF	MOTOR AND PUMP ASSEMBLY	NA
1	57413	. Street Elbow	1
2	M3973	. Filter	1
-	M3301-1	. . Filter Element (Replacement)	1
-	M3301-2	. . Filter Gasket (Replacement)	1
-	M4307	. . Filter Can (Replacement)	1
3	M3463	. Nipple, Hex, 1/4-18 NPTF	1
4	M5976	. Fitting	1
5	M3974-4	. Valve, Fuel Solenoid	1
6	M3297	. Nipple, Hex reducing, 1/4 to 1/8 NPTF	1
7	M17051	. Pump, Fuel	1
9	HC5-7C	. Screw, Hex hd, 5/16-18 x 7/8 in.	4
10	WLI-5C	. Lockwasher, Internal tooth, 5/16 in.	4
11	WP-5C	. Washer, Flat	2
12	M8234	. Spacer	1
13	M3547	. Gasket	1
14	M3473	. Coupling	1
15	M16006	. Motor	1
-	M18972	Kit, Fuel Pump (Alternate)	1



Index No.	Part Number	BURNER HEAD ASSY Part Name or Description	Quan.
	REF	BURNER HEAD ASSEMBLY	NA
1	M18303	. Nozzle	1
2	M4274	. Spring	1
3	M3978	. Deflector, Air	1
4	RC1-2C	. Screw, Rd. hd., No. 6-32 x 1/4 in.	2
5	HF3-3C	. Screw, Hex hd., No. 10-32 x 3/8 in.	2
6	M3981	. Electrode	2
7	69248	. Elbow	1
8	M18304	. Burner Body	1
9	M16712	. Bushing, Electrode	2