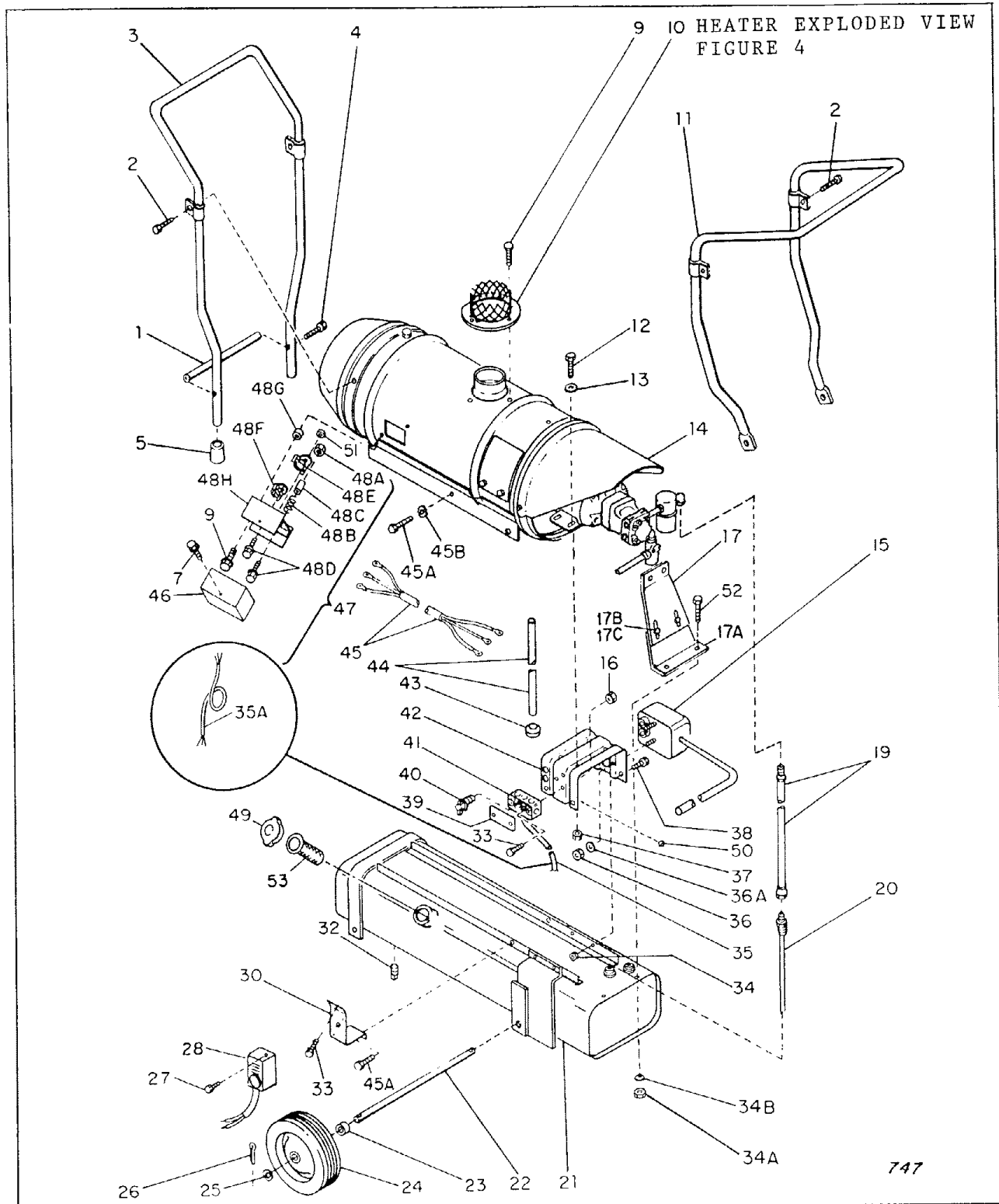


KEDDY HEATER MV210 Form No 2567 (11/69) HIGH PRESSURE

Figure & Index No.	Part Number	HEATER EXPLODED VIEW FIGURE 4 Part Name	Units Per Assy
4- 1	M12848	Tie Rod	1
2	M12461-62	Screw, Hex Head	4
3	M12855G1	Front Handle Assembly	1
4	M12461-70	Screw, Hex Head	2
5	M3304-2	Rubber Tip, Handle	2
7	M10908-1	Screw, Hex Head	3
9	M10908-27	Screw, Hex Head	11
10	M11242G1	Stack Guard Assembly	1
11	M12858G1	Rear Handle Assembly	1
12	HF5-7C	Screw, Hex Head	4
13	WP-5C	Washer, Flat	4
14	No Number	Outer Shell and Burner Group (See figure 5)	-
15	M3259-4	Transformer	1
16	NLF-3	Nut, Flexloc	2
17	M20894	Bracket, Support Top	1
17A	M20892-1	Bracket Assembly, Support	1
17B	HF3-3C	Screw, Hex Head	2
17C	WLM-3	Lockwasher	2
19	M3334G14	Fuel Line Assembly	2
20	M10923G1	Intake and Return Tubes	2
21	M18390G2	Fuel Tank Assembly	1
22	M12818	Axle	1
23	M10911	Spacer	2
24	M10909	Wheel	2
25	WP-10	Washer, Flat	2
26	C5-10	Cotter Pin	2
27	M10908-1	Screw, Hex Head	2
28	M17696	Thermostat	1
30	M12790	Bracket, Thermostat	1
32	M8257	Plug, Pipe	1
33	M12461-27	Screw, Hex Head	3
34	NLF-5	Nut, Flexloc	4
34A	NLC-2	Nut, Flexloc	1
34B	WLI-2	Lockwasher	1
35	M10813G12	Extension Cord Assembly	1
-	M1001349	Connector	1
36	NPC-4	Nut, Hex	2
36A	WP-4C	Washer, Flat	2
37	NLF-5C	Nut, Flexloc	4
38	M12461-64	Screw, Hex Head	4
39	M5837	Cover, Box	1
40	69321-61	Connector	5
41	M3307	Utility Box	1
42	M11450G1	Motor Bracket Assembly	1
43	M3530	Grommet	6
44	M5845G15	Motor to Box Cable Assembly	1
-	M1001349	Connector	1
45	M15082G1	Control to Box Cable Assembly	1
45A	M11084-16	Screw, Hex Head	6
45B	WLE-4	External Lockwasher	6
46	M12661	Cover, Control, Box	1
47	M12656G1	Control Box Assembly Kit	1
48A	NPC-2C	Hex Nut	4
48B	M12301	Spring	4
48C	M12297-1	Collar	4
48D	M12461-18	Screw, Hex Head	4
48E	M12303	Thermostat - Limit	1
48F	M12302	Thermostat - Fan	1
48G	M13042	Spacer	2
48H	M12657G1	Assembly, Control Box	1
49	M18051	Cap, Fuel Tank	1
50	1000576	Grommet	2
51	M12662	Spacer	2
52	M12461-16	Screw, Hex Head	1

REDDY HEATER MV210 Form NO 2567 (11/69) HIGH PRESSURE



REDDY HEATER MV 210 FORM NO 2567 (11/69)

HIGH PRESSURE

MOTOR & PUMP ASSY

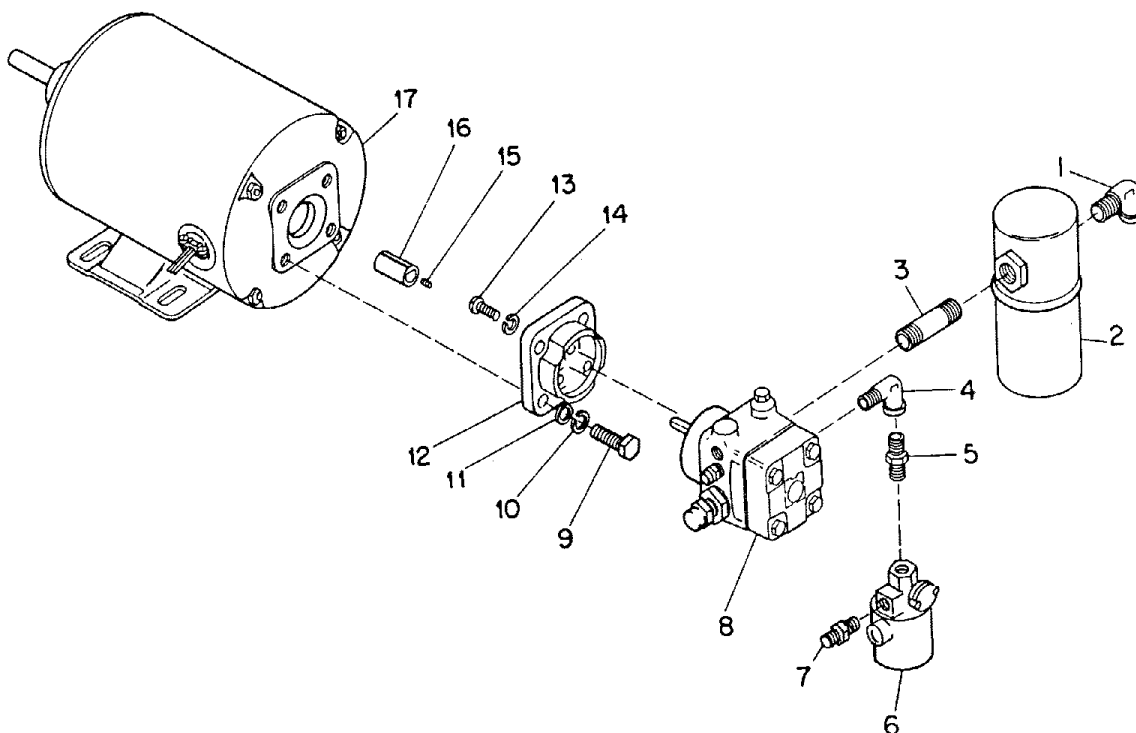


Fig. & Index No.	Part Number	MOTOR & PUMP ASSY Part Name	Units Per Assy
6-	M18465G1	Motor and Pump Assy (See 25, figure 5)	N. A.
1	57413	Elbow, Street 1/4 in.	1
2	M3973	Filter	1
	M4307	Filter Can	1
	M3301-2	Filter Gasket	1
	M3301-1	Filter Element	1
3	M17499-3	Nipple, Pipe, 1/4 x 2-1/2 in.	1
4	57379	Elbow, Street, 1/8 pipe x 1/8 pipe	1
5	69246	Nipple, Hex, 1/8 pipe	1
6	M3974-1	Solenoid Assy	1
7	1000513	Connector, Male	1

Fig. & Index No.	Part Number	MOTOR & PUMP ASSY Part Name	Units Per Assy
8	M18363	Pump	1
9	HC5-7C	Screw, Hex Hd, 5/16-18 x 7/8 in.	4
10	WLM-5C	Washer, Lock 5/16 in.	4
11	WP-5C	Washer, Plain 5/16 (Bottom only)	2
12	M18365	Adapter	1
13	RF3-6C	Screw, Round Hd., No. 10-32 x 3/4 in.	3
14	WLM-3	Washer, Lock, No. 10	3
15	N18436	Spring	1
16	M18366	Coupling	1
17	M3342	Motor	1

N. A. - Not available as an assembly. Order individual parts if required.

REDDY HEATER MV210 Form No 2567(1/64) HIGH PRESSURE

Figure & Index No.	Part Number	Part Name	OUTER SHELL ASSY FIGURE 5	Units Per Assy
5-1	M12860G1	Outer Shell Assy	1
2	M12461-27	Screw, Hex Head	6
3	M11271-5	Nut, Tinnerman	2
4	M10871	Cowl	1
5	M11523-51	Screw, Rd Head	4
6	M13674	Combustion Chamber Front Head	1
8	M10851	Exhaust Casting	1
9	M10908-27	Screw, Hex Head	4
12	RC1-2	Screw, Rd Head	2
13	M3107	Nozzle	1
14	M4274	Spring	1
15	M3978	Air Deflector	1
16	M10947	Burner Body	1
17	HF3-3	Screw, Hex Head, 10-32 x 3/8	2
18	M16712	Electrode Bushing	2
19	M3981	Electrode	2
20	M2294	Fitting, Compression Tube	1
21	M9107G4	Burner Head Assy	1
22	WP-2	Washer, Flat	2
22A	M12461-16	Screw, Hex Head, 8-32 x 5/8	2
23	M11230-1	Fan	1
24	M18025	Key, Fan Locating	1
25	M18465G1	Motor and Pump Assy (See Fig. 6)	N. A.
26	M18466	Fuel Line	1
27	M3530	Grommet, 7/8	1
28	M3486-3	Tubing, Varnished	1
29	1001349	Connector	1
30	1000576	Grommet, 1/2	2
31	M10816G9	Electrode Lead Assy	2
32	M11084-40	Screw, Hex Head	2
33	M10908-27	Screw, Hex Head	3
34	M11239	Deflector, Fin	1
35	M13175G1	Combustion Chamber and Heat Exchanger Assy	1
36	M20422-1	Fan Guard Assy	1
37	M11084-28	Screw, Hex Head	4
38	M11271-6	Nut, Tinnerman	4
39	M8633-3	Access Door	1
40	M11084-40	Screw	2
	M15081	Wiring Diagram Decal	1
	M19259	Tag, "Please Read"	1
	M16420	Decal, Caution	1
	M20507	Decal, Model Data	1
	M20532	Decal, Pump Pressure	1
	M19457	Decal, Trade name	2
	M18196	Decal, Nameplate (Mfg. By)	1
	M19824	Decal, Nameplate and Oper. Inst.	1

REDDY HEATER MV210 FORM NO 2567 (11/69) HIGH PRESSURE

OUTER SHELL ASSY FIGURE 5

