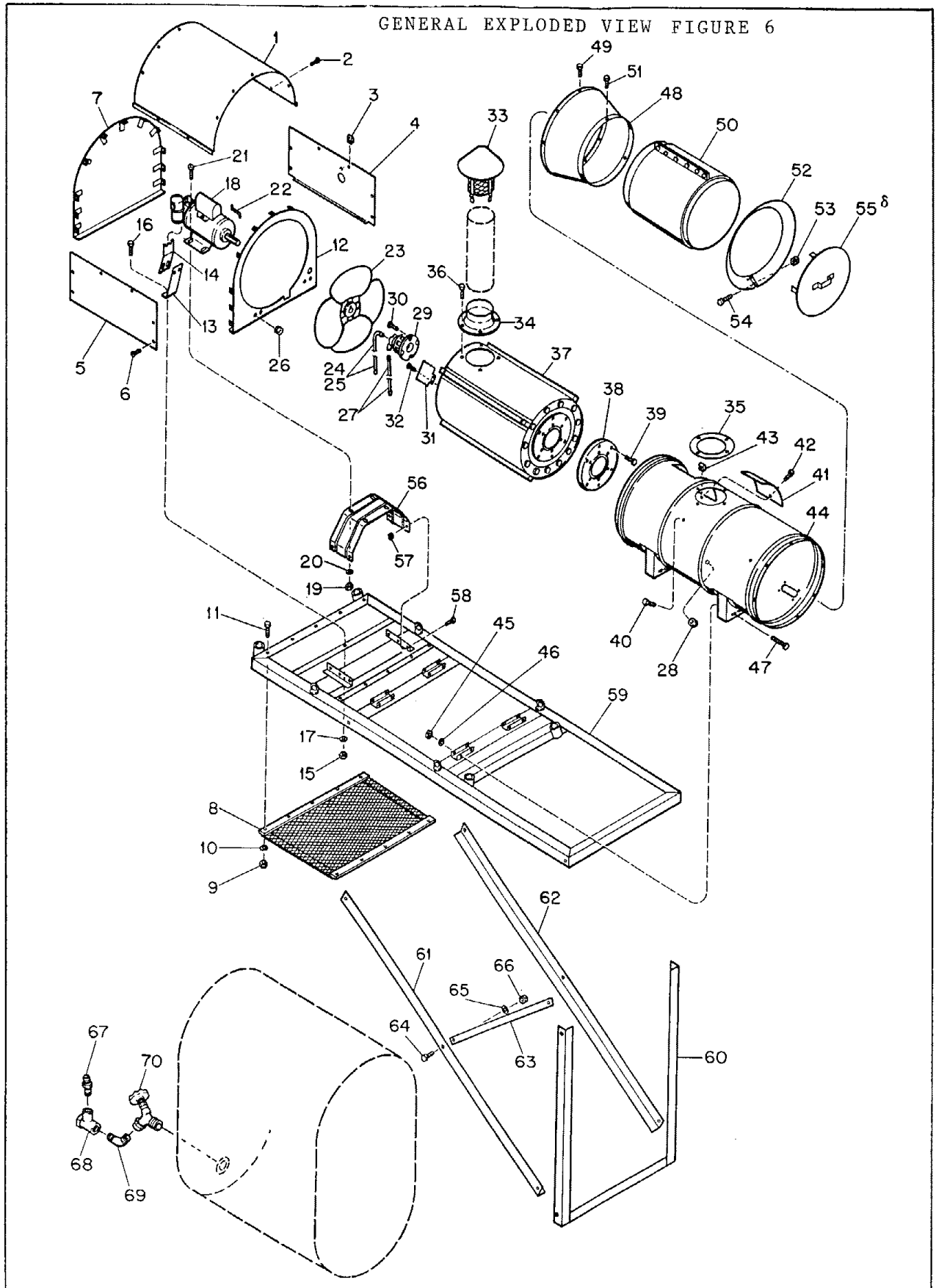


MASTER HEATER MMV-400A SPEC. 3168G01 HIGH PRESSURE FORM NO. 2883 (10/72)

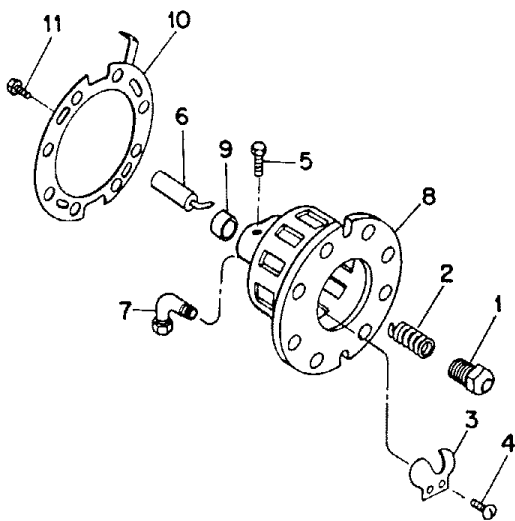


MASTER HEATER MMV-400A SPEC. 3168G01

HIGH PRESSURE FORM NO. 2883 (10/72)

Index No.	GENERAL Number	EXPLODED VIEW FIGURE 6 Part Name or Description	Qty.	No.	Part Number	Part Name or Description	Qty.
6-		GENERAL ASSEMBLY		36	M10908-27	Screw, Hex hd, 10-32 x 1/2	8
1	M25518A	Cover	1	37	M15858-6	Heat Exchanger Assembly	1
2	M11084-26	Screw, Hex hd, 10-12 x 3/8	18	38	M17389-2	. Front Head Assembly	1
3	M11271-6	Nut, Tinnerman	4	39	M12461-27	. Screw, Hex hd., 10-32 x 1/2	6
4	M25686-1A	Side Panel Assembly	1	40	M12461-27	Screw, Hex hd., 10-32 x 1/2	8
5	M25682	Side Panel, R. H.	1	41	M4812-3A	Door, Access	1
6	M11084-26	Screw, Hex hd, 10-12 x 3/8	8	42	M11084-27	Screw, Hex hd, 10-12 x 1/2	1
7	M25515-2A	Cover Assembly, End Support	1	43	M11271-6	Nut, Tinnerman	1
8	M25523-1A	Guard Assembly, Screen	1	44	M18331-3A	Shell Assembly, Outer - <i>N/A</i>	1
9	NPC-4C	Nut, Hex, 1/4-20	8	45	NTC-4C	Nut, Torque lock, 1/4-20	4
10	WLM-4	Lockwasher, 1/4 in.	8	46	WP-4C	Washer, Plain	8
11	HC4-7C	Screw, Hex hd, 1/4-20 x 7/8	8	47	HC4-20C	Screw, Hex hd, 1/4-20 x 2-1/2	8
12	M25515-1A	Cover Assembly, End Support	1	48	M19932A	Cone, Outer Shell	1
13	M25586-1A	Support Bracket Assy, Bottom	1	49	M10908-26	Screw, Hex hd, 10-32 x 3/8	7
14	M25584A	Support Bracket, Top	1	50	M19384-1A	Duct Assembly	1
15	NPF-3C	Nut, Hex, 10-32	1	51	M10908-26	Screw, Hex hd, 10-32 x 3/8	3
16	HF3-4C	Screw, Hex hd, 10-32 x 1/2	3	52	xM21687	Adapter	1
17	WLM-3	Lockwasher, No, 10	1	53	xNTF-3C	Nut, Torque lock 10-32	2
18	M23383-4	Motor and Pump Assy (See Fig. 8 for details.)	1	54	xM12461-29	Screw, Hex hd, 10-32 x 3/4	2
19	NTC-6C	Nut, Torque lock, 3/8-16	4	55	ϕM25710-1A	Duct Cover Assembly (Shipping Only)	1
20	WP-6C	Washer, Plain, 3/8	4	56	M16169A	Support, Motor	1
21	HC6-10C	Screw, Hex hd, 3/8-16 x 1-1/4	4	57	NTC-4C	Nut, Torque Lock, 1/4-20	6
22	M24177	Key, Locating	1	58	HC4-6C	Screw, Hex hd, 1/4-20 x 3/4	6
23	M16050	Fan	1	-	M25501-1A	Mounting Frame Assy	1
24	M10816-28	Electrode Lead Assembly	2	59	M25494-1	. Top Frame Assy	1
25	M3486-8	Tubing, Varnish	2	60	M19934-1	. End Frame Assy	1
26	M1000576	Grommet	4	61	M19938	. Side Brace, L. H.	1
27	M23384	Fuel Line	1	62	M19937	. Side Brace, R. H.	1
28	M3530	Grommet	1	63	M19022	. Brace	2
29	M18666-1	Burner Head Assembly (See Fig. 9 for details)	1	64	HC8-10C	. Screw, Hex hd, 1/2-13 x 1-1/4	10
30	M12461-63	Screw, Hex hd, 1/4-20 x 1/2	2	65	WLM-8C	. Washer, Lock, 1/2 in.	10
31	M15853	Deflector, Air	5	66	NPF-8C	. Nut, Hex, 1/2-13	10
32	M12461-62	Screw, Hex hd, 1/4-20 x 3/8	10		M15087-1	Valve Assembly	1
33	M25700-1A	Stack Cover Assembly	1	67	M20105	. Valve Assembly, Check	1
34	M15844A	Casting, Exhaust	1	68	M15088	. Elbow, Sediment Strainer	1
35	M15840	Guard	1	69	M15075	. Elbow, Angle	1
				70	M15076	. Valve, Angle Type	1

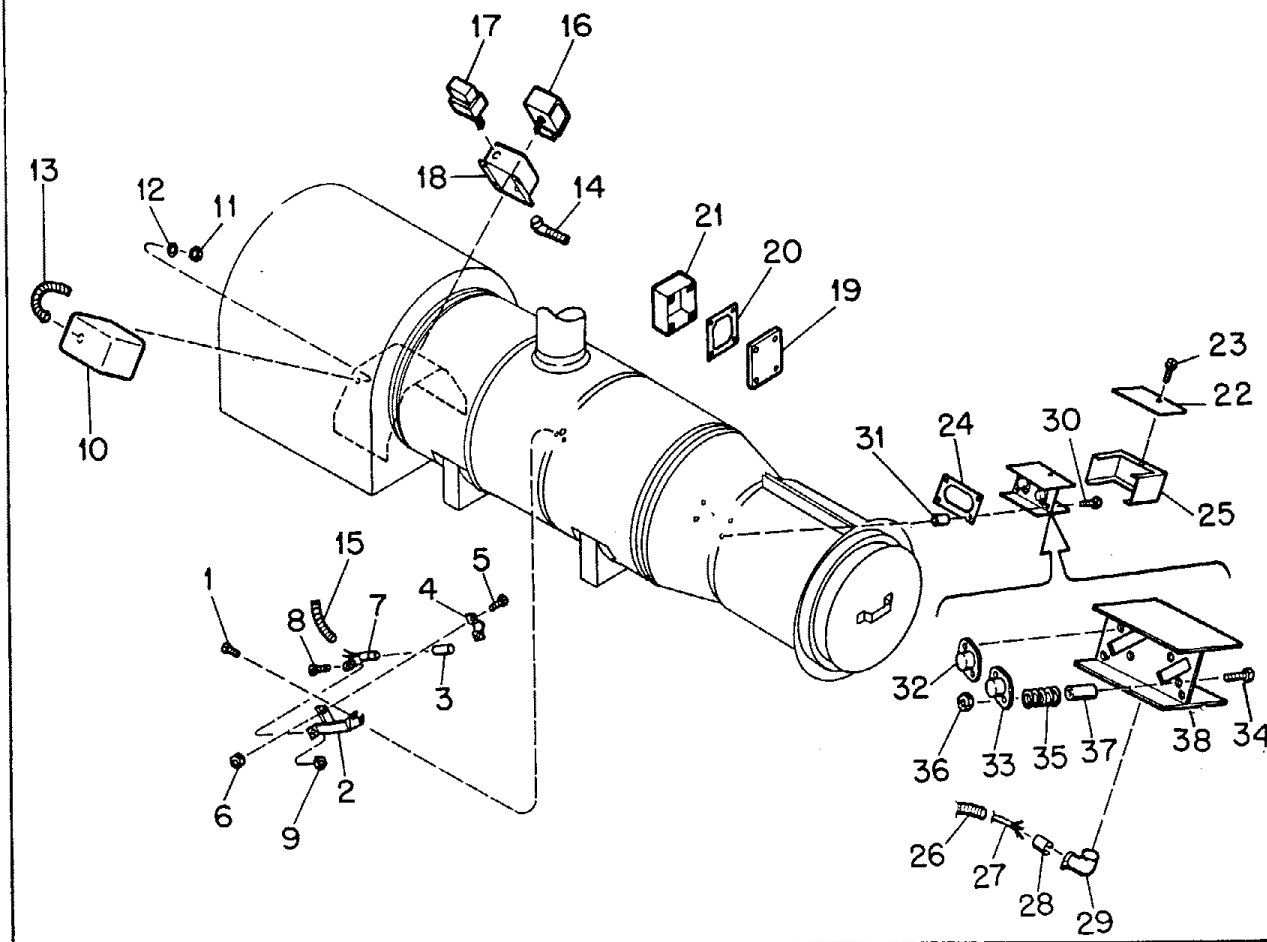
BURNER HEAD ASSEMBLY



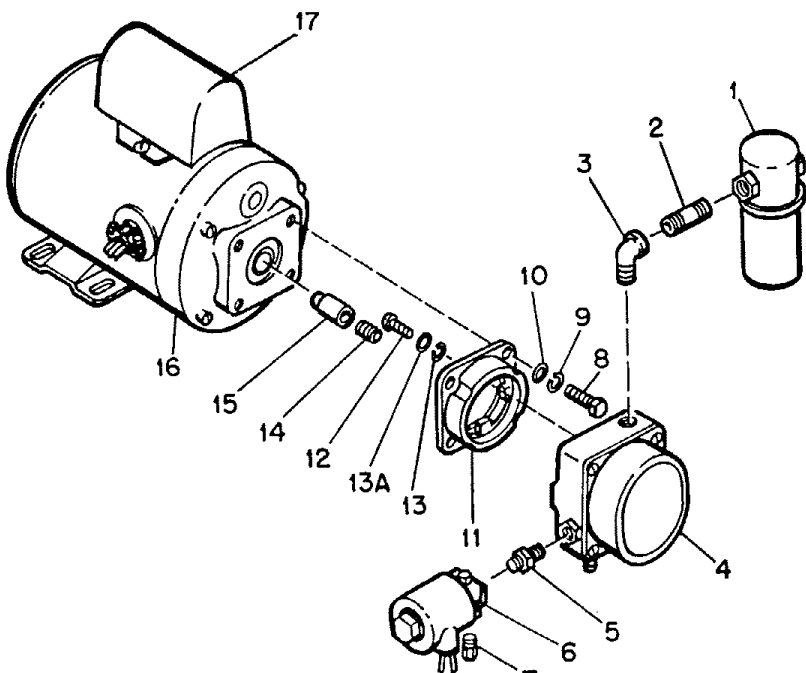
Index No.	Part Number	Part Name or Description	Qty.
9-	Ref.	BURNER HEAD ASSEMBLY	1
1	M18303	. Nozzle	1
2	M4274	. Spring	1
3	M3978	. Deflector, Air	1
4	RC1-2C	. Screw, Rd. hd., No. 6-32 x 1/4 in.	2
5	HF3-3C	. Screw, Hex hd., No. 10-32 x 3/8 in.	2
6	M3981	. Electrode	2
7	69248	. Elbow	1
	M3853-8	. Burner Body and Bushing Assy	1
8	M18665	. . Burner Body	1
9	M16712	. . Bushing, Electrode	2
10	M16650G1	. Shutter Plate Assy	1
11	M12461-25	. Screw, Hex hd., No. 10-32 x 1/4 in.	4

MASTER HEATER MMV-400A SPEC. 3168G01 HIGH PRESSURE FORM NO. 2883 (10/72)

GENERAL EXPLODED VIEW FIGURE 7



MOTOR & PUMP ASSY



Index No.	Part Number	MOTOR & PUMP ASSY Part Name or Description	Qty.
8-1	M3973	Filter, Fuel	1
	M4307	. Filter Can	1
	M3301-2	. Filter Gasket	1
	M3301	. Filter Element	1
2	M17499-1	Nipple	1
3	57413	Elbow, Street 1/4 in.	1
4	M22872-2	Pump, Fuel	1
5	69246	Nipple, Pipe 1/8 in.	1
6	M3974-7	Valve, Solenoid	1
7	M5976	Connector, Male	1
8	*HC5-7C	Screw, Hex hd., 5/16-18 x 3/4 in.	4
9	*WLM-5C	Lockwasher, 5/16 in.	4
10	*WP-5C	Washer, Plain, 5/16 in.	4
11	M22348	Adaptor	1
12	*RF3-6C	Screw, Rd. hd., No. 10-32 x 3/4 in.	3
13	*WLM-3	Lockwasher No. 10	3
13A	WP-3C	Washer, Plain	3
14	M18436	Spring	1
15	M22873	Coupling	1
16	M16006	Motor, Electric	1
17	M12650-1	Capacitor	1

MASTER HEATER MMV-400A SPEC. 3168G01 HIGH PRESSURE Form NO. 2883 (10/72)

GENERAL EXPLODED VIEW FIGURE 7

Index No.	Part Number	Part Name or Description	Qty.	Index No.	Part Number	Part Name or Description	Qty.
7-1	M11084-38	Screw, Hex hd, 8-15 x 3/8	2	7-	M11979-23	Wire, Blue	1
2	M21865-1A	Bracket Assembly	1		M15140	Connector, Straight, Junction box	2
3	M13962A	Tubing	1	16	M22012	Control, Safety	1
4	M13963A	Clamp, Tubing	1	17	M21686	Relay, Slave	1
5	FHC1-4C	Screw, Fil. hd., 6-32 x 1/2	2		M15714-2	Connector, Wire	10
6	NTC-1C	Nut, Torque lock, 6-32	2	18	M3011	Box, Utility	1
7	M22013	Detector, Photo Cell	1		NTC-3C	Nut, Torque lock, 10-24	2
8	RC2-2C	Screw, Rd hd., 8-32 x 1/4	1		M12461-50	Screw, Hex hd, 10-24 x 3/8	2
9	NTC-2C	Nut, Torque lock, 8-32	1	19	M25208A	Cover, Junction Box	1
10	M3259-3	Transformer	1	20	M25209	Gasket, Junction Box	1
11	NPC-4C	Nut, Hex, 1/4-20	2	21	M25699	Box, Junction	1
12	WLM-4C	Lockwasher, 1/4	2		M12461-50	Screw, Hex hd., 10-24 x 3/8	2
13	M15141-10	Conduit, Transformer to Utility Box	1		NTC-3C	Nut, Torque lock, 10-24	2
	M15454	Insulator, Transformer conduit	1	22	M25688A	Cover, Control Box	1
	56022	Connector, 90°, Transformer Conduit	1	23	M10908-1	Screw, Hex hd, 6-32 x 1/4	1
14	M15141-1	Conduit, Solenoid, Motor and Junction Box to Utility Box	3	24	M16710	Gasket	1
	56022	Connector, 90°, Solenoid valve	1	25	M12661A	Cover Control Box	1
	M15140	Connector, Solenoid Valve and Motor Conduit	2	26	M15141-24	Conduit	1
	M15454	Insulator, Motor and Solenoid Valve Conduit	2	27	M21961-1	Wire Harness Assembly	1
15	M15141-4	Conduit, Photocell Leads to Utility Box	1	28	M15454	Insulator	1
	56022	Connector, 90°, Photo cell Leads to Utility Box	1	29	56022	Connector, 90°	1
	M15454	Insulator, Utility box to Junction box	1		M12656-5A	Controls and Box Assembly	1
	M11981-23	Wire, White	1	30	M10908-28	Screw, Hex hd, 10-32 x 5/8	4
	M11980-34	Wire, Black	1	31	M12662-2	Spacer	1
				32	M12303-2	. Thermostat, Limit	1
				33	M12302	. Thermostat, Fan	1
				34	M12461-20	. Screw, Hex hd, 8-32 x 1-1/8	4
				35	M18305	. Spring	4
				36	NPC-2C	. Nut, Hex, 8-32	4
				37	M12297-2	. Collar	4
				38	M12657G1A	. Control Box Assembly	1

WIRING DIAGRAM

