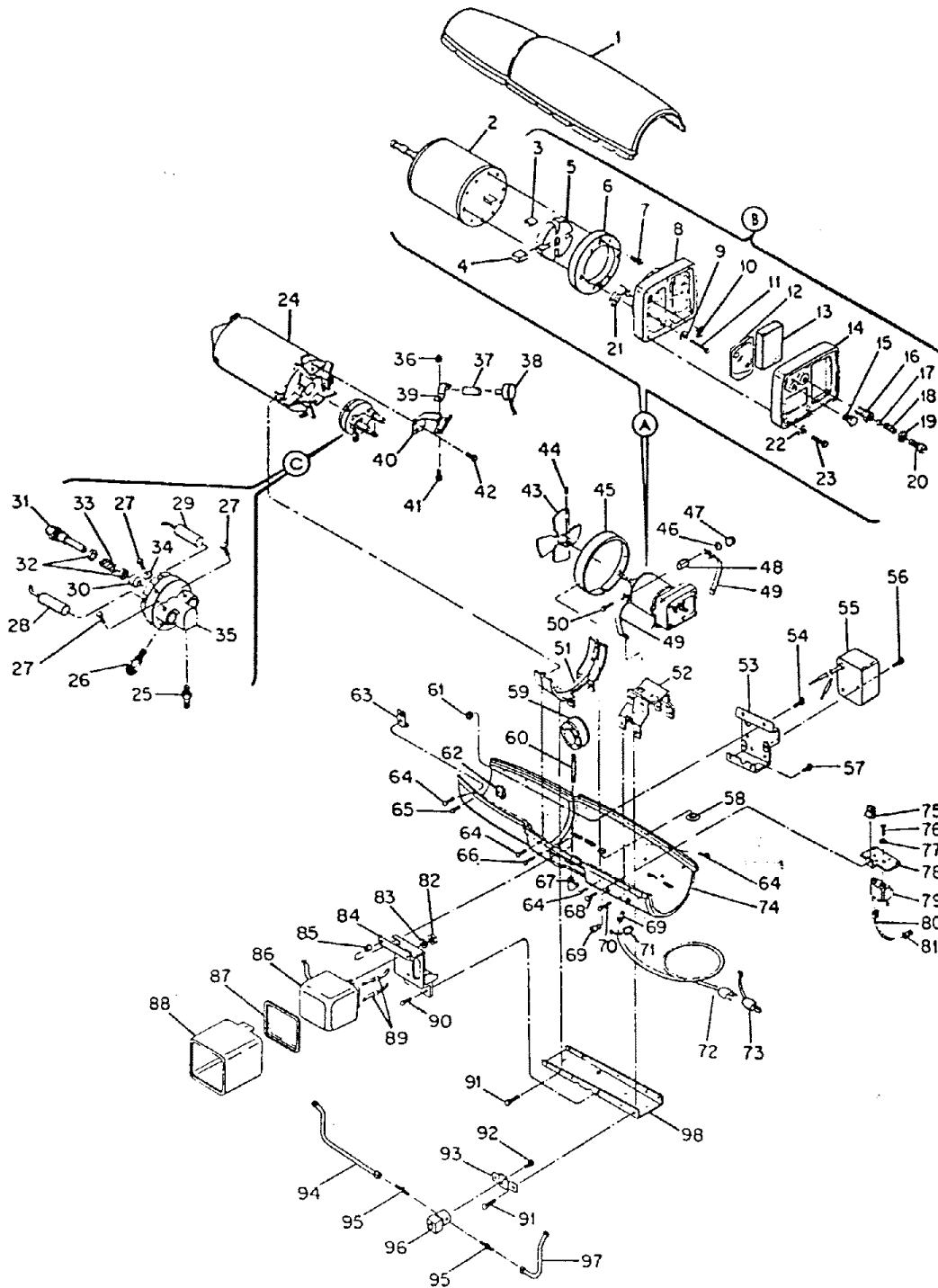


REDDY HEATER CO₂-11 FERTL-AIRE LOW PRESSURE FORM NO. RH-1612 9-65

HEATER EXPLODED VIEW FIGURE 12



REDDY HEATER CO₂-1 FERTL-AIRE

LOW PRESSURE FORM NO. RH-1612 9-65

Index No.	Part Number	HEATER EXPLODED VIEW Part Name	FIG 12 Quan.
1	M13134G1	Shell, Upper	1
A	*M11937G1	Motor Package Assy	1
2	M11938	Motor	1
B	*M13614G1	Pump and Filter Parts Package	1
3	M11966-5	. Spring	1
4	M8643	. Blade	4
5	M11959	. Rotor	1
6	M8645	. Pump Body	1
7	FHPF3-4C	. Screw, Fil hd, 10-32 x 1-1/8 in.	2
8	M12233	. End Cover, Pump	1
9	WLI-3C	. Washer	6
10	*M11637	. Filter, Lint	1
11	M12461-32	. Screw, Hexhd, 10-32 x 1-1/8 in.	6
12	*M12244G1	. Filter Assy	1
13	*M12179	. Intake Filter	1
14	M12234	. End Cover	1
15	M10837	. Pipe Plug	1
16	M10362	. Connector	1
17	M8940	. Ball, 1/4 dia.	1
18	M8941	. Spring, Compression	1
19	M8993	. Hex Nut, 3/8-24	1
20	M11941	. Bushing, Pressure adjustment	1
21	69248	. Male Elbow	1
22	WLI-3	. Lockwasher, Internal #10	4
23	M12461-31	. Screw, Hexhd, 10-32 x 1 in.	4
24	M11920G1	Combustion Chamber	1
C	*M11929G2	Burner Assy	1
25	69246	. Hex Nipple	1
26	M5976	. Connector, Male	1
27	HF3-3C	. Screw, Hexhd, 10-32 x 3/8 in.	3
28	*M8989	. Electrode, LH	1
29	*M8990	. Electrode, RH	1
30	M8882	. Sleeve	1

Index No.	Part Number	HEATER EXPLODED VIEW Part Name	FIG 12 Quan.
31	M8667	. Nozzle	1
32	M10659-1	. Washer, Nozzle seal	2
33	M10809	. Spring, Nozzle seal	1
34	WP-3C	. Washer, Flat	1
35	M8716G2	. Burner Head	1
36	NTC-1C	Locknut	2
37	M13962	Tubing, Photocell	1
38	M9211-3	Photocell	1
39	M13963	Clamp, Tubing	1
40	M13961	Bracket, Photocell	1
41	M12461-2	Screw, 6-32 x 3/8	2
42	M10908-1	Screw, 6-32 x 1/4	2
43	M14529	Fan	1
44	No Number	Setscrew, Socket hd, cup pt, 1/4-28	2
45	M12331	Fan Housing	1
46	WLM-4	Washer, Lock, 1/4	2
47	NPC-4C	Nut, Hex. 1/4-20	2
48	13620	Spacer	2
49	M10964-1	Clamp, Motor	4
50	HC4-10C	Screw, 1/4-20 x 1-1/4	2
51	M12330	Bracket, Shell support	1
52	M11942	Bracket, Motor support	1
53	M14913G1	Bracket, Mounting	1
54	M12461-51	Screw, Hex hd, 10-24 x 1/2	2
55	M14942G1	Relay Assembly	1
56	M12461-13	Screw, 8-32 x 1/4	2
57	M10908-51	Screw, 10-24 x 1/2 in.	2
58	M14954-8	Caplug	1
59	M12007	Regulator, Fuel demand	1
60	M13499-1	Nipple	1
61	NTC-3C	Locknut	2
62	M11271-6	Nut, Tinnerman	6
63	M14928	Bracket, Hanger	4
64	M11084-27	Screw, 10-12 x 1/2, Type A	7

parts list continued, page 21

REDDY HEATER CO₂-11 FERTL-AIRE

LOW PRESSURE Form No. RH-1612 6-95

HEATER EXPLODED VIEW FIG 12

Index No.	Part Number	Part Name	Quan.
65	M10908-51	Screw, 10-24 x 1/2 in.	2
66	M10908-53	Screw, 10-24 x 3/4 in.	4
67	69253	Elbow	1
68	M10908-51	Screw, 10-24 x 1/2 in.	4
69	M11954	Bushing, Strain relief	2
70	M10908-51	Screw, 10-24 x 1/2 in.	2
71	M13942-4	Connector	1
72	M10813G1	Extension Cord Assy	1
73	M9050	Adapter	1
74	M14919	Shell, Lower	1
75	M11271-6	Nut, Tinnerman	1
76	RC-2-3C	Screw, Rd hd, 8-32 x 3/8 in.	2
77	WLI-2	Washer, Lock #8	2
78	M11952	Bracket, Relay	1
79	M12462-2	Relay	1
	ST2-2AC	Screw, No. 8 x 1/4 (not shown)	1
80	M9946G4	Wire Assy	1
81	M13942-4	Connector	1
82	NPC-4C	Nut Hex, 1/4-20	2
83	WLM-4	Lockwasher, 1/4 in.	2
84	M12332G1	Mounting Bracket Assy	1
85	M13042	Spacer	2
86	*M3259-4	Transformer	1
87	M12511	End, Cover	1
88	M12510	Cover, Transformer	1
89	M10816G11	Lead Assembly, Electrode	2
90	M10908-51	Screw, 10-24 x 1/2 in.	4
91	M10908-51	Screw, 10-24 x 1/2 in.	8
92	M12461-26	Screw, 10-32 x 3/8	2
93	M14916	Bracket	1
94	M14918	Air Line	1
95	M5976	Connector	2
96	M14853	Solenoid Valve	1
97	M14917	Air Line	1
98	M12326-2	Bracket, Mounting	1

