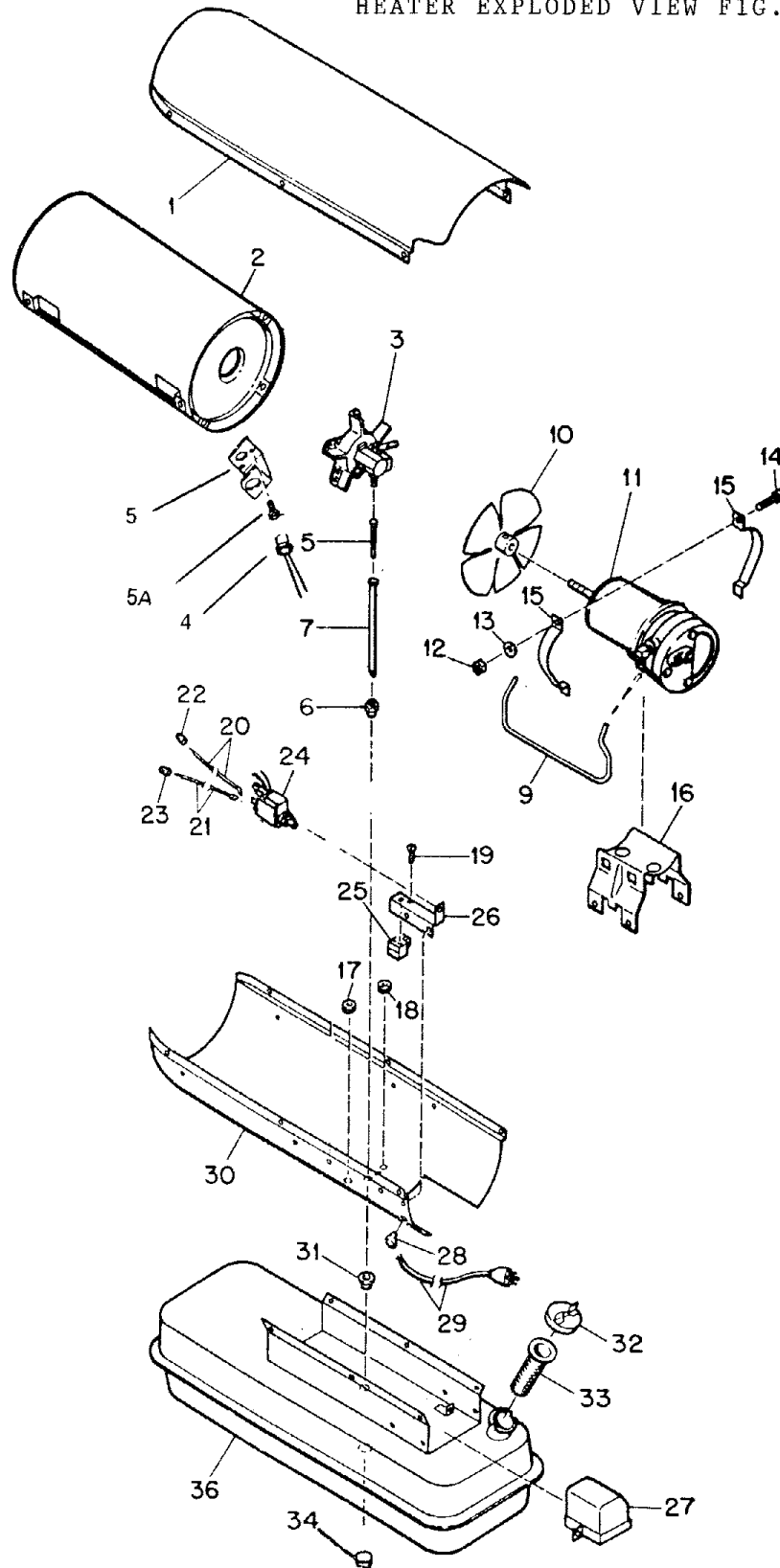


REDDY HEATER
LOW PRESSURE

MA 66

SPEC 3207G08
M29870-95

HEATER EXPLODED VIEW FIG. 8

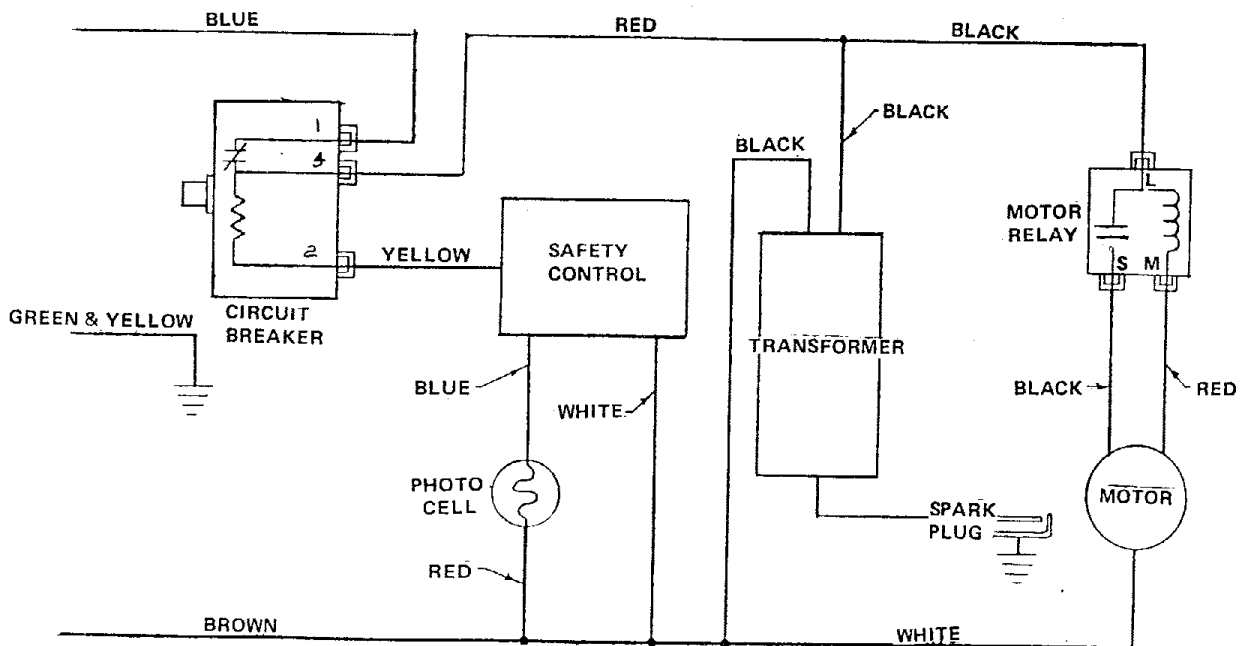


REDDY HEATER MA66 SPEC 3207G08 LOW PRESSURE M29870-95

Fig. & Index No.	Part Number	Part Name	Qty.
13-1	M26207-E	Shell, Upper	1
-	M11084-26	Screw, Hex hd., No. 10-12 x 3/8 in. (AP)	6
-	M11271-6	Nut, Tinnerman	6
2	M50248-01	Combustion Chamber Assy.	1
3	M27367-3	Burner Head Assembly (For details see Figure 14)	NA
4	M16656-4	Photocell and Bushing Assy.	1
5	M16660	Photo Cell Bracket	1
5A	M10908-2	Screw	2
6	M13849	Nut, Flared	1
7	M16789-8	Tube, Fuel Filter	1
9	M31305	Air Line	1
10	M26317	Fan, 1-3/32 pitch	1
-	SF4-2-1/K	Setscrew, Socket hd., cup pt., 1/4-28 x 5/16 (furnished with fan)	2
11	M31306-02	Motor Package Assembly (For details see Figure 15)	1
12	NPC-4	Nut, Plain, hex, 1/4-20 (AP)	2
13	WLM-4	Lockwasher, 1/4 in. (AP)	2
14	HC4-10C	Screw, Hex hd., 1/4-20 x 1-1/4 in. (AP)	2
15	M16661	Clamp, Motor	2
16	M25059	Bracket, Support	1
-	M11084-27	Screw, Hex hd., No. 10-12 x 1/2 in. (AP)	4
17	1000576	Grommet	3
18	1000577	Grommet	2
19	M11084-26	Screw, Rd. hd., No. 10-12 x 3/8 in. (Grounding)	1

Fig. & Index No.	Part Number	Part Name	Qty.
-	M11084-26	Screw, Hex hd., No. 10-12 x 3/8 in. (Relay Bracket)	2
20	M9900-62	Wire Assembly	1
21	M16841-16	Wire Assembly	1
22	M13942-7	Connector, Wire	2
23	M13942-7	Connector, Wire	1
24	M50416-03	Safety Control Assy.	1
25	M25061-2	Realy, Motor Start	1
-	RC2-2C*	Screw, Rd. Hd., 8-32 x 1/4 in. (AP)	2
26	M25035	Bracket, Relay	1
27	M25024-2	Transformer Assembly	1
-	M11084-27	Screw, Hex hd., 10-12 x 1/2 in. (AP)	2
28	M11143-1	Bushing, Strain Relief	1
29	M15779-22	Extension Cord Assembly	1
30	M26208-E	Lower Shell Assembly	1
-	M11084-26	Screw, Hex hd., 10-12 x 3/8 in. (AP)	6
31	M10990-3	Bushing	1
32	M23284	Cap, Filler Neck	1
33	M50323	Screen, Filler Neck	1
35	M27417	Drain Plug	1
36	M27553-04C	Fuel Tank Assembly	1
-	M50141	Guard Fan (N.S.)	1

WIRING DIAGRAM

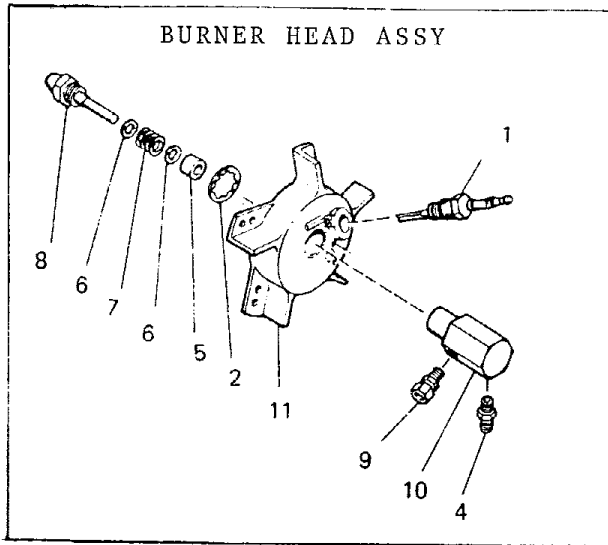


REDDY HEATER
LOW PRESSURE

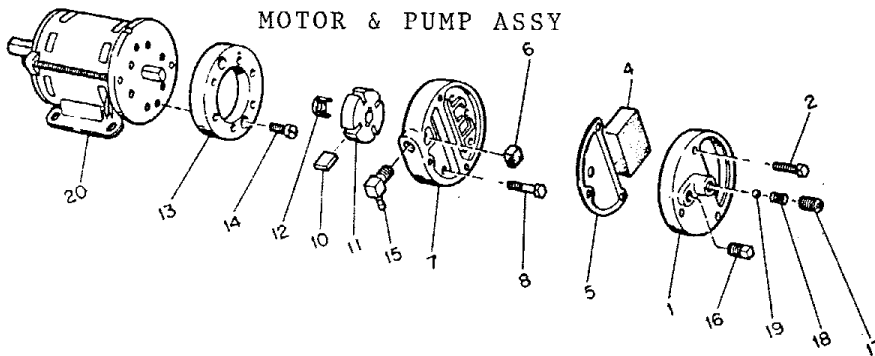
MA66

SPEC 3207G08

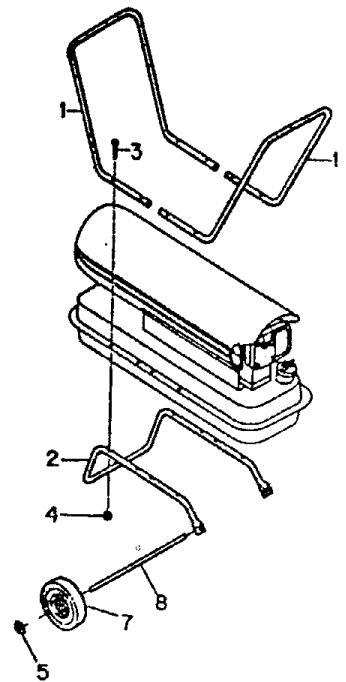
M29870-95



Index No.	Part Number	BURNER HEAD ASSY Part Name	Qty.
14-	M27367-3	Burner Head Assembly	Ref.
1	M10962-2	. Spark Plug	1
2	M16741-18	. Ring, Retaining	1
3	M23151-4	. Nozzle Adapter Assembly	1
4	M5976	.. Connector, Male	1
5	M8882	.. Sleeve, Nozzle Seal	1
6	M10659-1	.. Washer, Nozzle Seal	2
7	M10809-1	.. Spring, Nozzle Seal	1
8	M26316	.. Nozzle, Aspirating	1
9	M16791	.. Connector, Male	1
10	M16535	.. Adapter, Nozzle	1
11	M25020	. Body, Burner Head	1



HANDLE & WHEEL KIT



Index No.	Part Number	MOTOR & PUMP ASSY Part Name	Qty.
-	M31306-02	Motor Package Assembly	1
1	M29609	. End Cover, Filter	1
2	M12461-31	. Screw (Filter End Cover to Pump End Cover)	3
4	M29633	. Intake Air Filter	1
5	M29612-01	. Output Filter Assembly	1
6	M29632	. Filter, Lint	1
7	M29608	. End Cover, Pump (Port Plate)	1
8	M12461-32	. Screw (End Cover to Motor)	6
10	M8643	. Blade	4
11	M22456-1	. Rotor, Pump	1
12	M22009	. Insert, Rotor	1
13	M8645	. Pump Body	1
14	FHPF3-4C	. Screw (Pump Body to Motor)	2
15	69248	. Elbow	1
16	M22997	. Plug, Socket Hd.	1
17	M27694	. Screw, Pressure Adjustment	1
18	M10993-1	. Spring, Compression (Pressure Relief)	1
19	M8940	. Ball, 1/4 in. dia.	1
20	M25022-2	. Motor	1

Index No.	Part Number	HANDLE & WHEEL KIT Part Name	Qty.
1	M26287	Handle, Front and Rear	2
2	M26205-3	Frame, Wheel Support	1
3	M12345-33	Screw, Oval Hd., 10-34x1 1/4 in.	8
4	NTC-3C	Nut, Torque lock No. 10-24	8
5	M28526	Nut, Cap	2
7	M26307	Wheel	2
8	M16801-6A	Axle	1